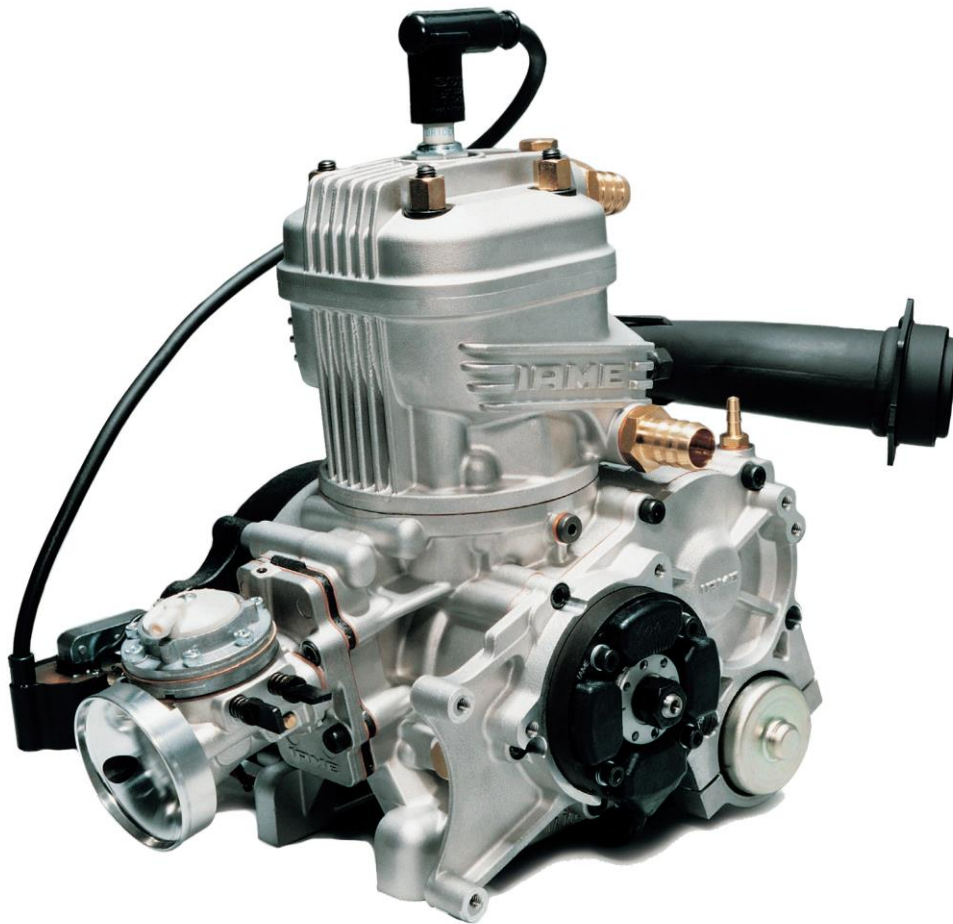


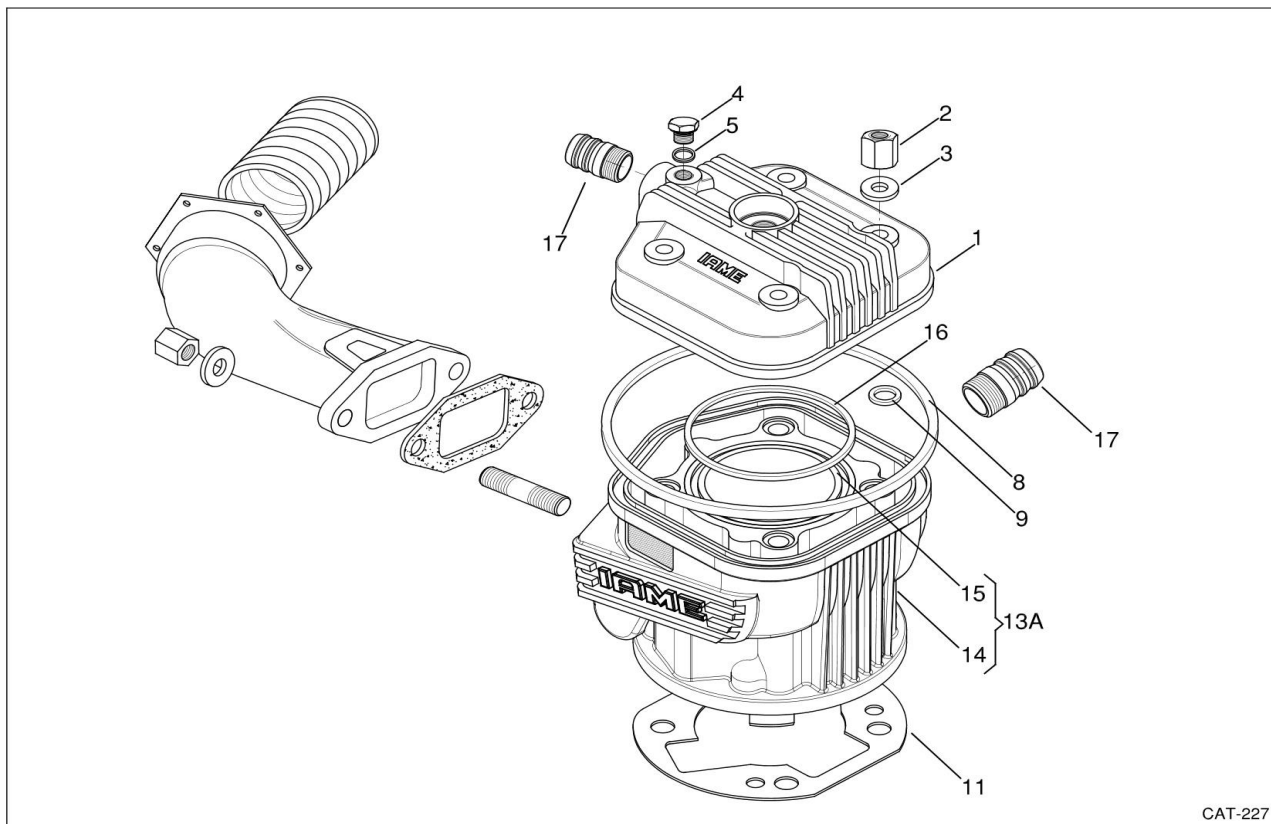
IAME

The heart of kart

IAME X30 - 16,000 RPM

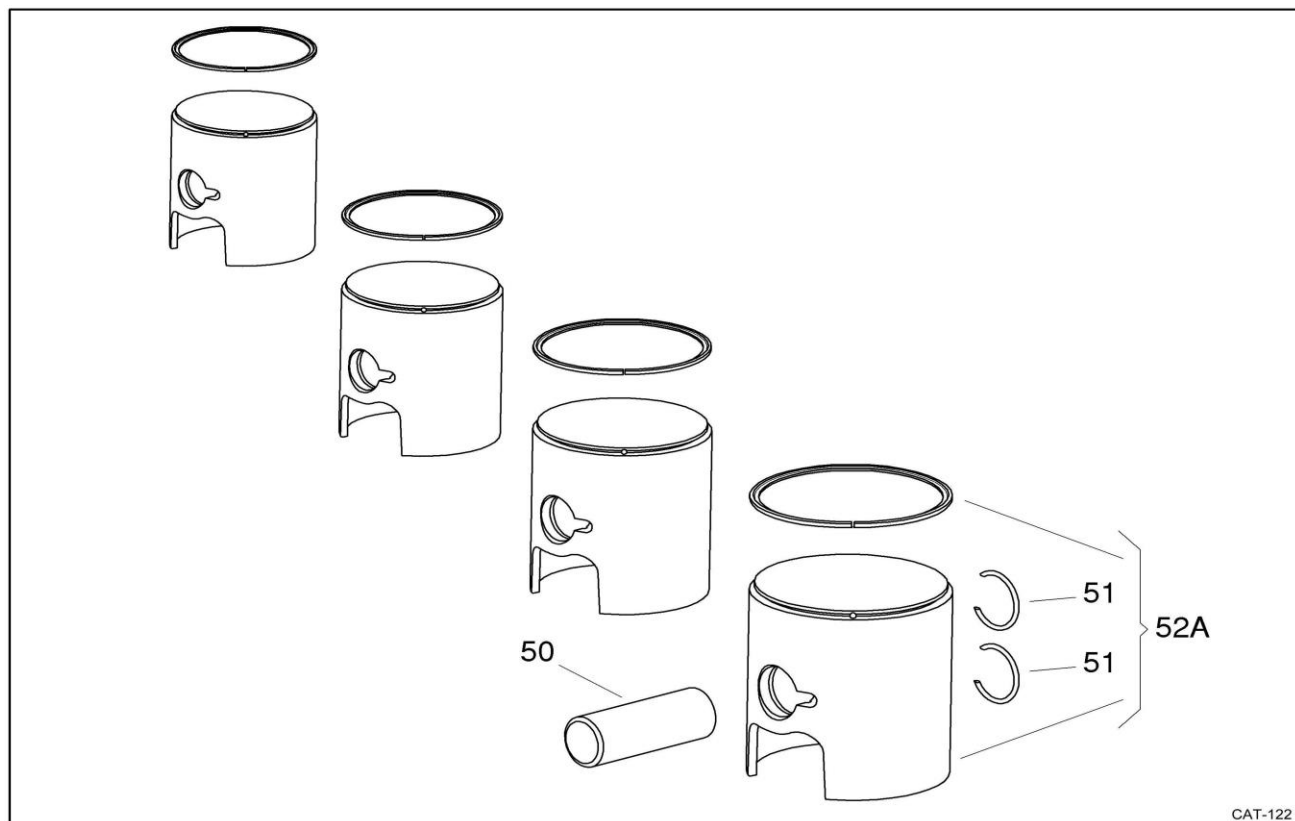


2014 CATALOG



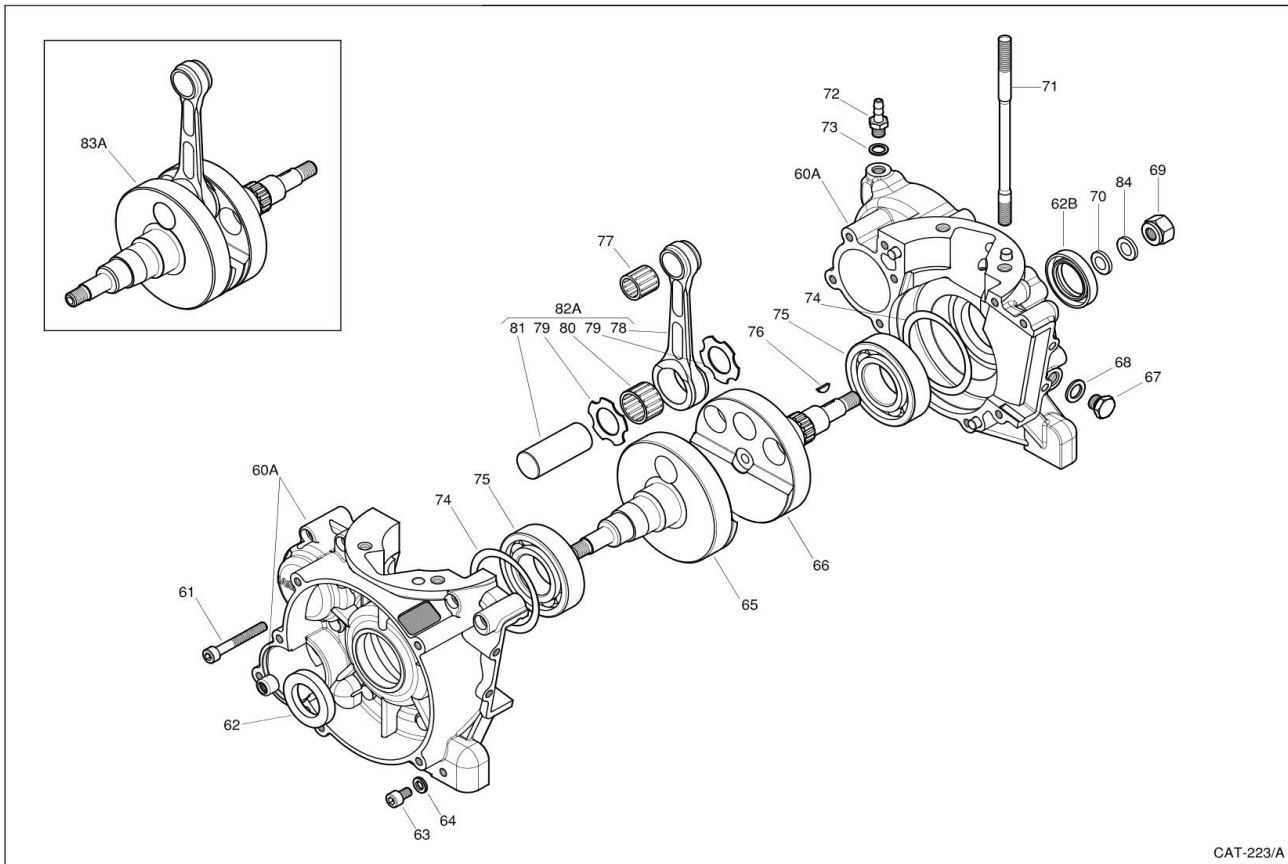
CAT-227

POS	COD	DESCR	PRICE
001	X30125040-C	CYL. HEAD X30	229.68
002	10350	HEAD NUT	3.56
003	10635	HEAD NUT WASHER H=3mm	1.81
004	B-25840	TEMP. GAUGE PLUG	4.16
005	B-25845	TEMP. GAUGE PLUG GASKET	2.92
006	B-25830A	WATER PIPE FITTING	10.05
007	B-25835	PIPE GASKET	3.56
008	F-38820	HEAD GASKET OR	14.00
009	B-25825	OR STUD-BOLT	1.81
011	EBP-125045	CYL. GASKET 4/10 SUD-TOP/X30	3.56
011	EBP-125046	CYL. GASKET 2/10 SUD-TOP/X30	3.56
013A	X30125033	COMPLETE CYLINDER X30 '14	729.31
015	X30125020	IRON LINER PAR-X30	303.26
016	D-37049	HEAD GASKET OR 3237	6.84
017	IFA-40500	WATER PIPE FITTING	10.40



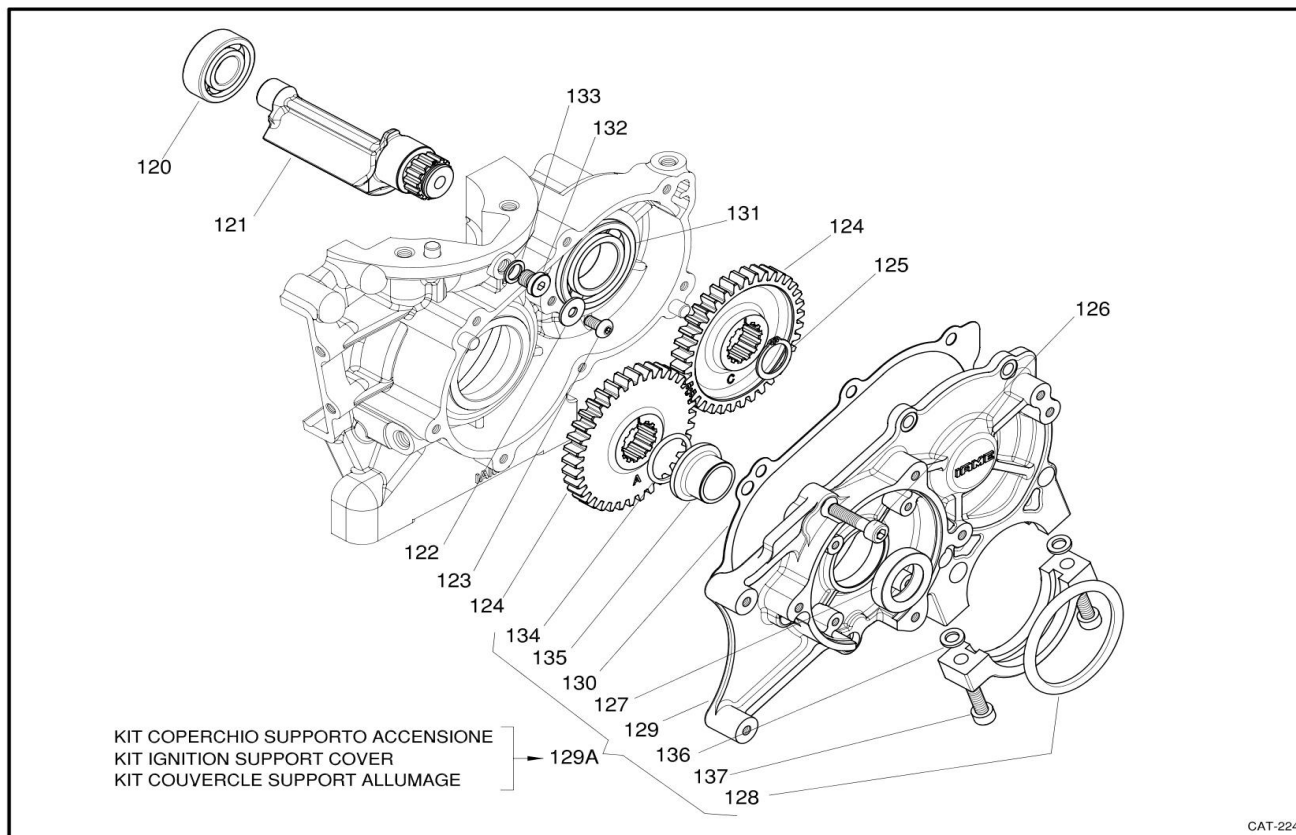
CAT-122

POS	COD	DESCR	PRICE
050	B-30320-B	PISTON PIN 14x44 2^SEL	30.91
050	B-30320-G	PISTON PIN 14x44 3^SEL.	30.91
050	B-30320-R	PISTON PIN 14x44 1^SEL.	30.91
051	10341-A	CIRCLIP W/OUT TAILS	1.88
052A	BP-25051-CR	PISTON, COMPL. PR 54.00r	126.07
052A	BP-25051-CV	PISTON, COMPL. PR 54.00g	126.07
052A	BP-25056-CR	PISTON, COMPL. PR 54.02r	126.07
052A	BP-25056-CV	PISTON, COMPL. PR 54.02g	126.07
052A	BP-25058-CR	PISTON, COMPL. PR 54.05r	126.07
052A	BP-25058-CV	PISTON, COMPL. PR 54.05g	126.07
052A	BP-25061-CR	PISTON, COMPL. PR 54.10r	126.07
052A	BP-25061-CV	PISTON, COMPL. PR 54.10g	126.07
052A	BP-25066-CR	PISTON, COMPL. PR 54.12r	126.07
052A	BP-25066-CV	PISTON, COMPL. PR 54.12g	126.07
052A	BP-25068-CR	PISTON, COMPL. PR 54.15r	126.07
052A	BP-25068-CV	PISTON, COMPL. PR 54.15g	126.07
052A	BP-25071-CR	PISTON, COMPL. PR 54.20r	126.07
052A	BP-25071-CV	PISTON, COMPL. PR 54.20g	126.07
052A	BP-25076-CR	PISTON, COMPL. PR 54.22r	126.07
052A	BP-25076-CV	PISTON, COMPL. PR 54.22g	126.07
052A	BP-25081-CR	PISTON, COMPL. PR 54.25r	126.07
052A	BP-25081-CV	PISTON, COMPL. PR 54.25g	126.07
052A	BP-25086-CR	PISTON, COMPL. PR 54.27r	126.07
052A	BP-25086-CV	PISTON, COMPL. PR 54.27g	126.07



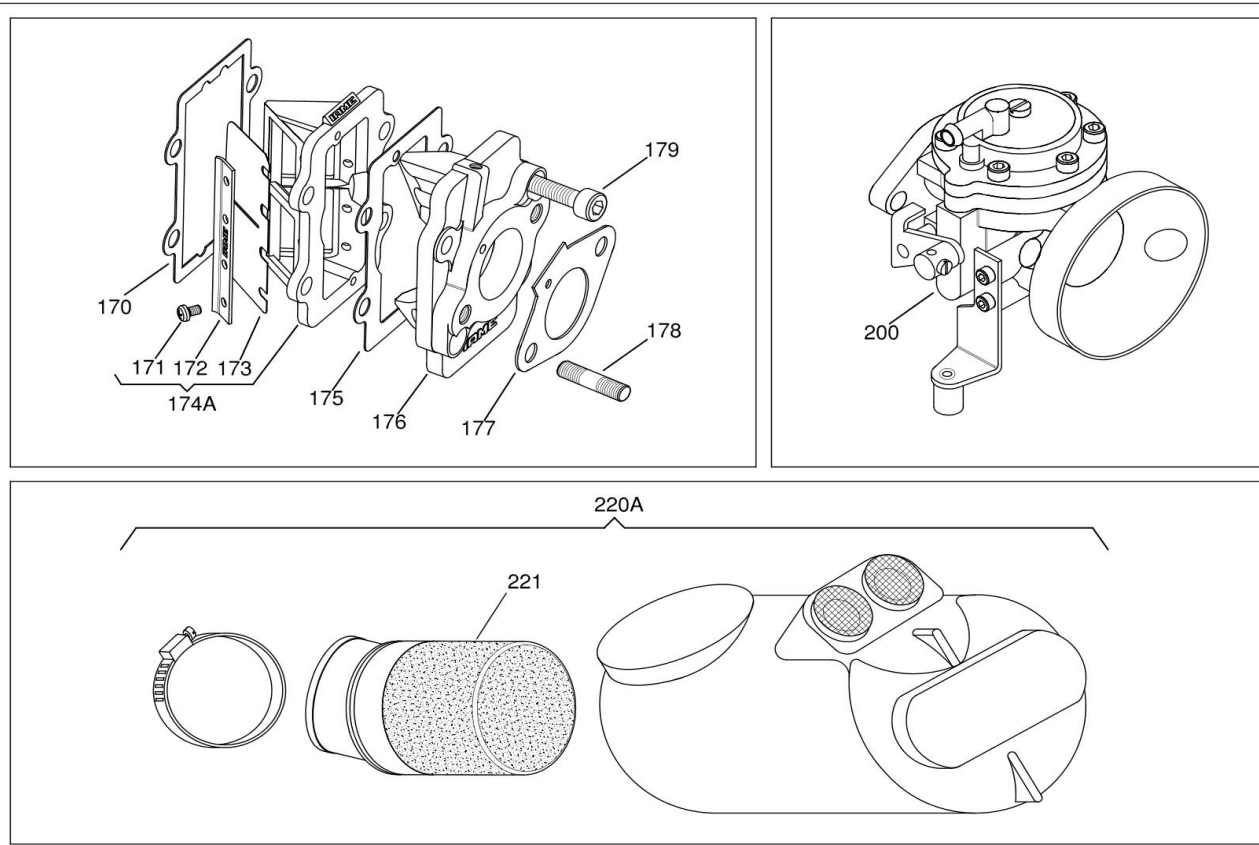
CAT-223/A

POS	COD	DESCR	PRICE
060A	X30125485-C	CRANKCASE W/CAGE X30	816.54
061	00049-K	KIT OF 20 ALLEN SCREWS 6x45	7.18
062	X30125425A	OIL SEAL MAGN./DRIVE SIDE	15.00
063	00059-K	20 FIXING CABLE SCREWS KIT	4.88
064	00302-K	KIT 20 WASHERS M6	1.81
065	X30125385	DR .S. H. CRANKSHAFT X30	345.96
066	X30125390	MAGN. S. H. CRANKSHAFT X30	308.82
067	B-25840	TEMP. GAUGE PLUG	4.16
068	B-25845	TEMP. GAUGE PLUG GASKET	2.92
069	00382	NUT M10x1	2.29
070	00305-K	KIT OF 20 WASHERS M10	7.47
071	B-25347	CYLINDER TIE-ROD 8x153	13.33
072	D-95800	PRESSURE FITTING	5.08
073	B-71805	PRESSURE Cu FITT. GASKET	1.81
074	X30125405	STEEL SHIM 0.10 X30	3.56
074	X30125406	STEEL SHIM 0.15 X30	3.56
075	X30125396A	BALL BEARING SKF 6206 X30	26.52
076	10375	MAGNETO/SPROCKET SHAFT END KEY	2.43
077	E-10440	TOP ROD SUPPORT	34.92
079	X30125436	SILVER BRONZE WASHER	10.40
080	X30125431	BIG END CAGE	67.02
081	X30125450	CRANKPIN 20x48.8	33.84
082A	IFC-50100-C	CONROD 102mm / PIN 48.8 X30	413.16
083A	X30125617	COMPLETE CRANKSHAFT X30	1,113.15
084	00342-K	KIT 20 WASHERS 10,5x18x0,8	6.66



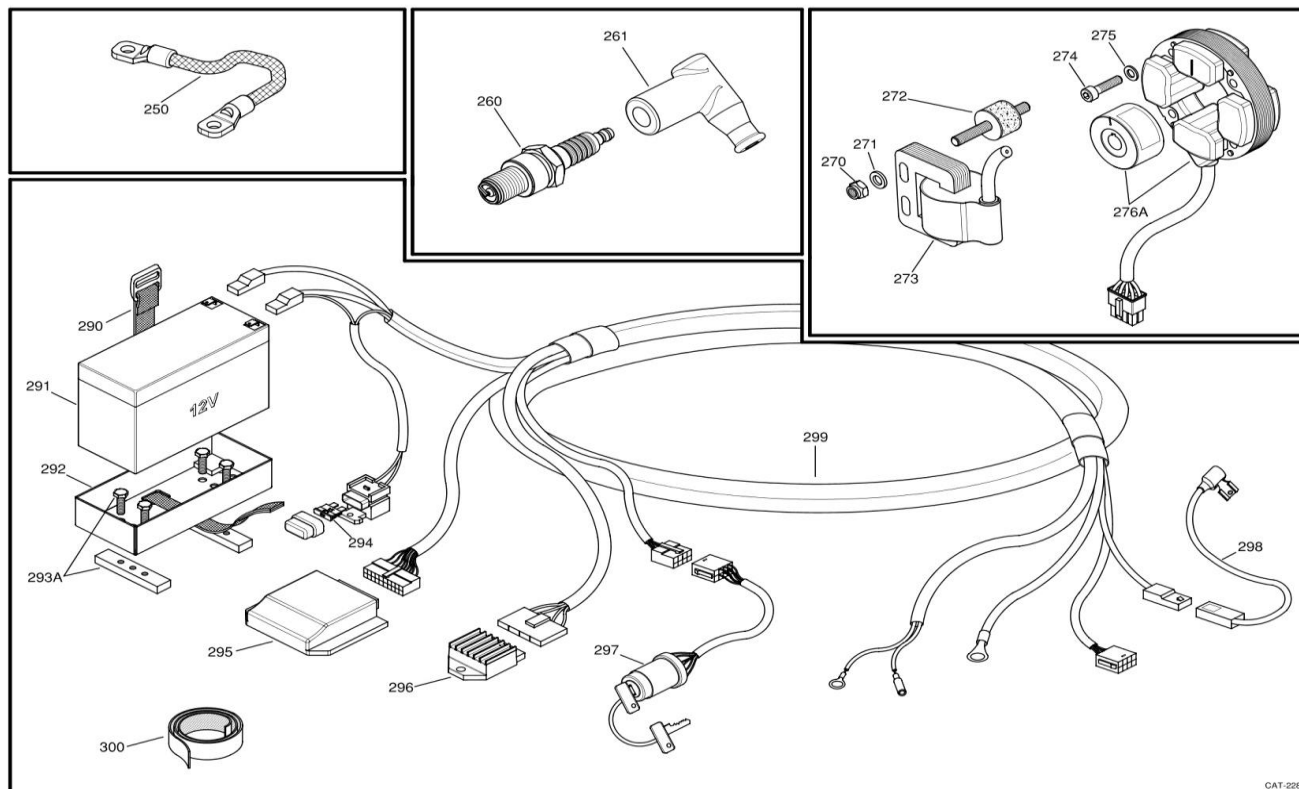
CAT-224

POS	COD	DESCR	PRICE
120	IMB-20100	COUNTER SHAFT SUPPORT	18.90
121	X30125750	BALANCING SHAFT X30	118.04
122	00313-K	KIT 20 WASHERS M5x15	1.60
123	00257-K	20 SCREWS KIT M5x10	4.57
124	X30125755B	BALANCING SHAFT GEAR X30	70.12
125	X30125758	SEEGER SHAFT GEAR	1.81
126	00042-K	KIT 20 SCREWS TCCE 6x16	4.57
127	X30125880	OIL SEAL TC 22x32x7	8.35
128	X30125853	DAMPENER OR	1.81
129	X30125875A	IGNIT. SUPP. COVER X30	221.01
129A	X30125875A-C	X30 IGNITION SUPPORT COVER KIT	254.97
130	X30125878	COVER GASKET X30	9.24
131	X30125746A	6005 BALL BEARING	25.05
132	X30125490	PRESSURE PLUG	5.08
133	B-71805	PRESSURE Cu FITT. GASKET	1.81
134	X30125762	GASKET OR X30	3.56
135	X30125760	GEAR SPACER X30	27.72
136	00302-K	KIT 20 WASHERS M6	1.81
137	00045-K	20 SOCKET H. SCREWS M6X25 KIT	4.57



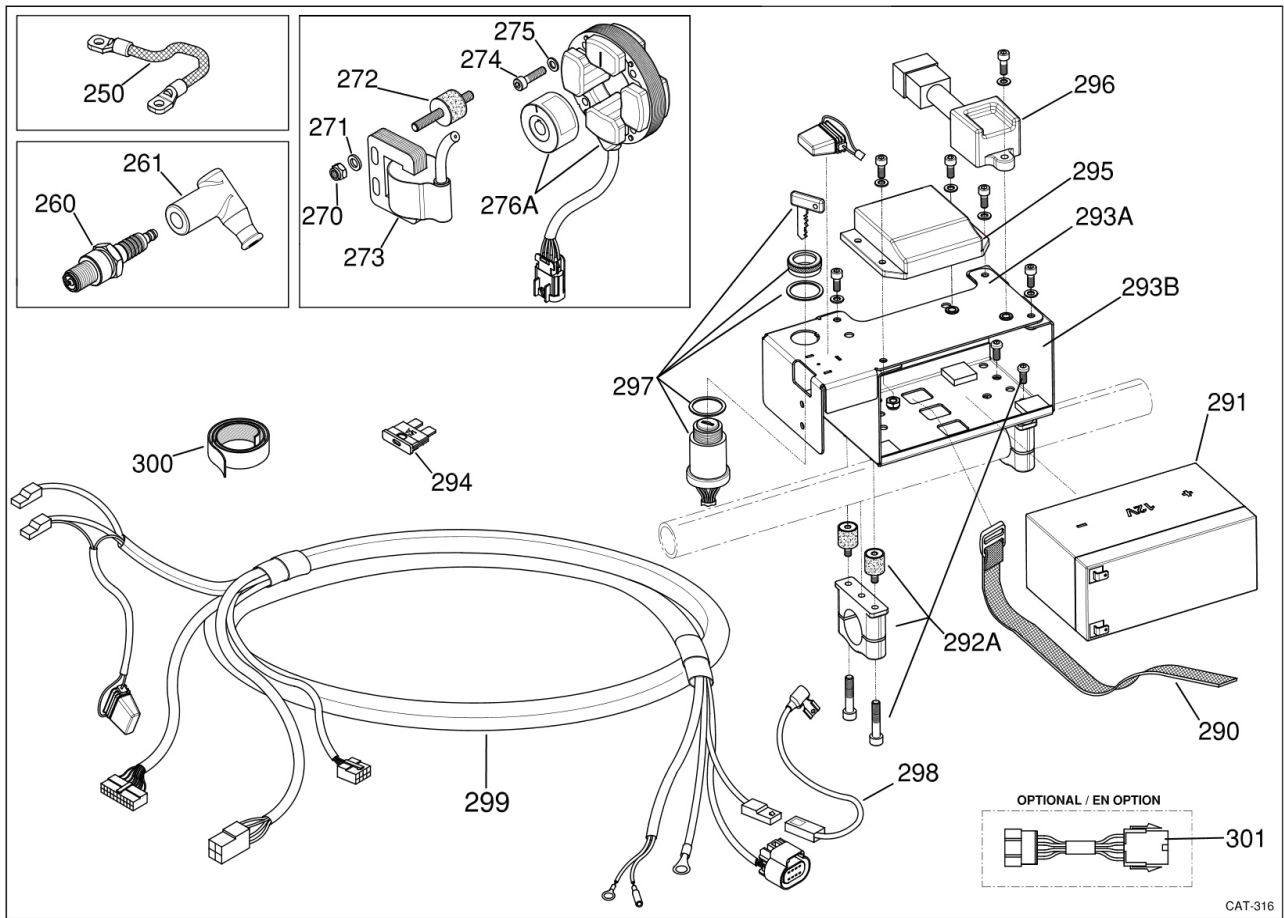
CAT-232/A

POS	COD	DESCR	PRICE
170	X30125810	REED BLOCK GASKET X30	5.08
171	10380	REEDS SCREW	1.81
172	F-11845A	REED CLIPS	3.56
173	F-11840-C	KIT 2 TOP R.PETAL 0.24/0.25	40.02
173	F-11841-C	KIT 2 TOP R.PETAL 0.22/0.23	40.02
173	X3011840	FIBERGLASS REED PETALS X30	17.09
174A	F-11830B-C	REEDS GROUP TOP	111.04
174A	X3011830-C	REEDS BLOCK X30	94.38
175	F-11805	TOP CONVEYOR GASKET	5.08
176	X30125815A	CONVEYOR mm.28	74.03
177	10360-A	CARBURETOR GASKET	3.56
178	F-40525	STUDBOLT M6x30	5.08
179	00045-K	20 SOCKET H. SCREWS M6X25 KIT	4.57
200	10948A	CARBURETOR TRYTON HB27-C 26mm	378.54
220A	10743-C1	COMPLETE INTAKE SILENCER	100.83
221	10751-A	RUBBER HOSE WITH FOAM FILTER	43.96



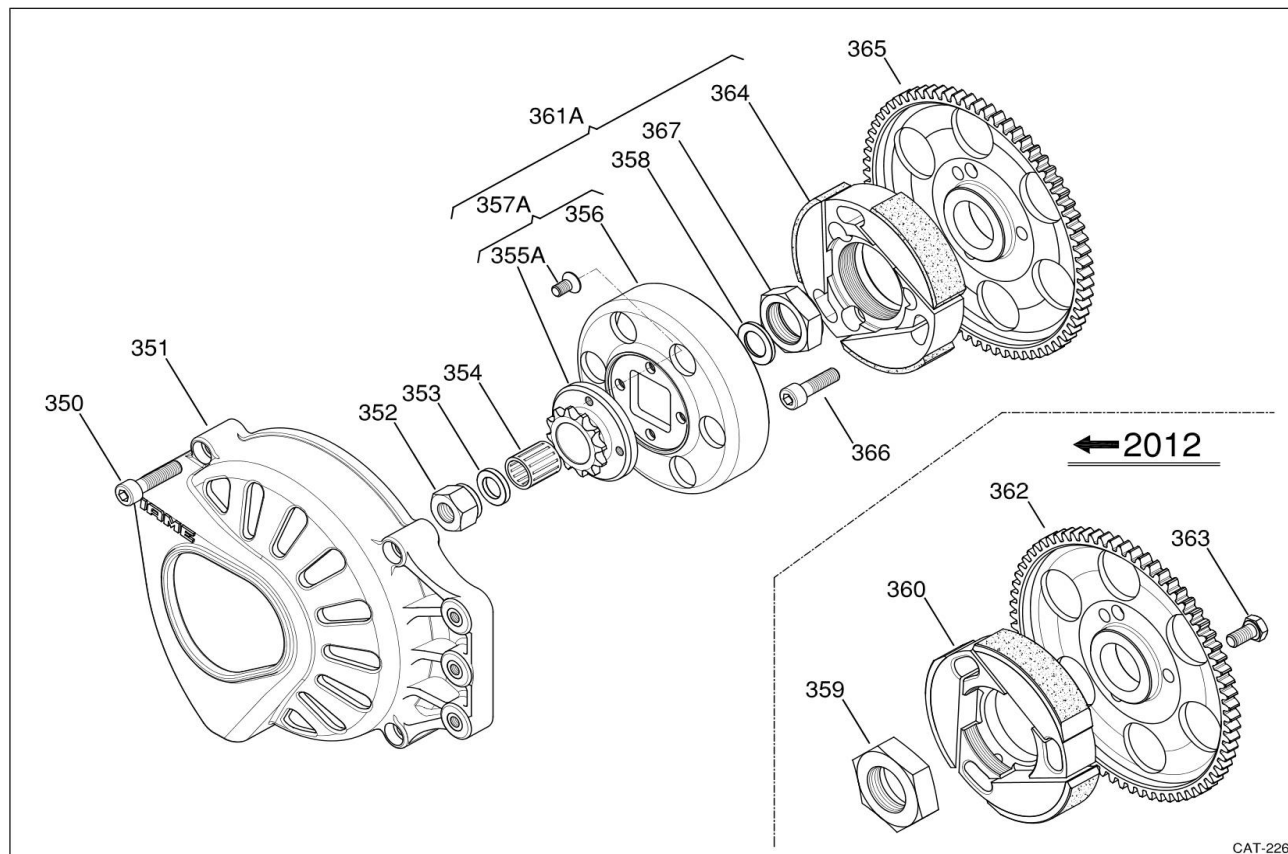
CAT-228

POS	COD	DESCR	PRICE
250	B-35805-A	COIL GROUND CABLE	8.30
260	10561	SPARK PLUG NGK BR9EG	12.95
260	10561-A	SPARK PLUG NGK BR10EG	12.95
261	10544	PVL SPARK CAP	28.86
270	00378-K	20 SELF LOCKING NUTS KIT M6	4.57
271	00302-K	KIT 20 WASHERS M6	1.81
272	B-35810-A	COIL DAMPENR	9.24
273	X30125955	SELETTA COIL K	57.05
274	00034-K	KIT OF 20 ALLEN SCREWS 5x25	4.57
275	00301-K	KIT 20 WASHERS M5	1.81
276A	X30125950	SELETTA IGNITION X30	188.02
290	A-60904A	BATTERY FIXING BELT	17.09
291	X30125900	SPARE PART F.	54.00
292	X30125905	BATTERY SUPPORT	41.11
293	X30125906-C	BATTERY SUPP. CLAMP W/SCREWS	13.82
294	X30125942	FUSIBLE 5A X30	3.56
295	X30125930C	MINI POWER UNIT TYPE C	245.55
295	X30125930F	MINI POWER UNIT TYPE F - JUN	245.55
296	X30125941	RELAY X30	94.38
297	X30125936-C	STARTER KEYS ASSEMBLY	73.08
298	A-60934A	STARTER CABLE	18.84
299	X30125935-C	CABLES HARNESS	140.06
300	X30125925	VELCRO FIXING STRAP	21.67



CAT-316

POS	COD	DESCR	PRICE
250	B-35805-A	COIL GROUND CABLE	8.30
260	10561	SPARK PLUG NGK BR9EG	12.95
260	10561-A	SPARK PLUG NGK BR10EG	12.95
261	10544	PVL SPARK CAP	28.86
270	00378-K	20 SELF LOCKING NUTS KIT M6	4.57
271	00302-K	KIT 20 WASHERS M6	1.81
272	B-35810-A	COIL DAMPENER	9.24
273	X30125955	SELETTRA COIL K	57.05
274	00034-K	KIT OF 20 ALLEN SCREWS 5x25	4.57
275	00301-K	KIT 20 WASHERS M5	1.81
276A	X30125952	SELETTRA IGNITION X30 '13	200.55
290	A-60904A	BATTERY FIXING BELT	17.09
291	X30125900	SPARE PART F.	54.00
292A	A-60906A-C1	SUP.BAT.CLAMP 28mm W/SCREWS'13	33.23
292A	A-60907A-C1	SUP.BAT.CLAMP 30mm W/SCREWS'13	33.23
292A	A-60908A-C1	SUP.BAT.CLAMP 32mm W/SCREWS'13	33.23
293A	A-120907-C	BATTERY SUPPORT PLATE '13	57.05
293B	A-120905B	BATTERY SUPPORT '13	48.95
294	X30125942	FUSIBLE 5A X30	3.56
295	X30125930C	MINI POWER UNIT TYPE C	245.55
295	X30125930F	MINI POWER UNIT TYPE F - JUN	245.55
296	IFE-05200	STARTER RELAY n.t.	119.24
297	X30125936-C	STARTER KEYS ASSEMBLY	73.08
298	A-60934A	STARTER CABLE	18.84
299	X30125935D-C	CABLES HARNESS '13	144.26
300	X30125925	VELCRO FIXING STRAP	21.67
301	X30125939	CABLES HARNESS '13 ADAPTER	37.89
301	X30125939A	STATOR ADAPTER '13	37.89

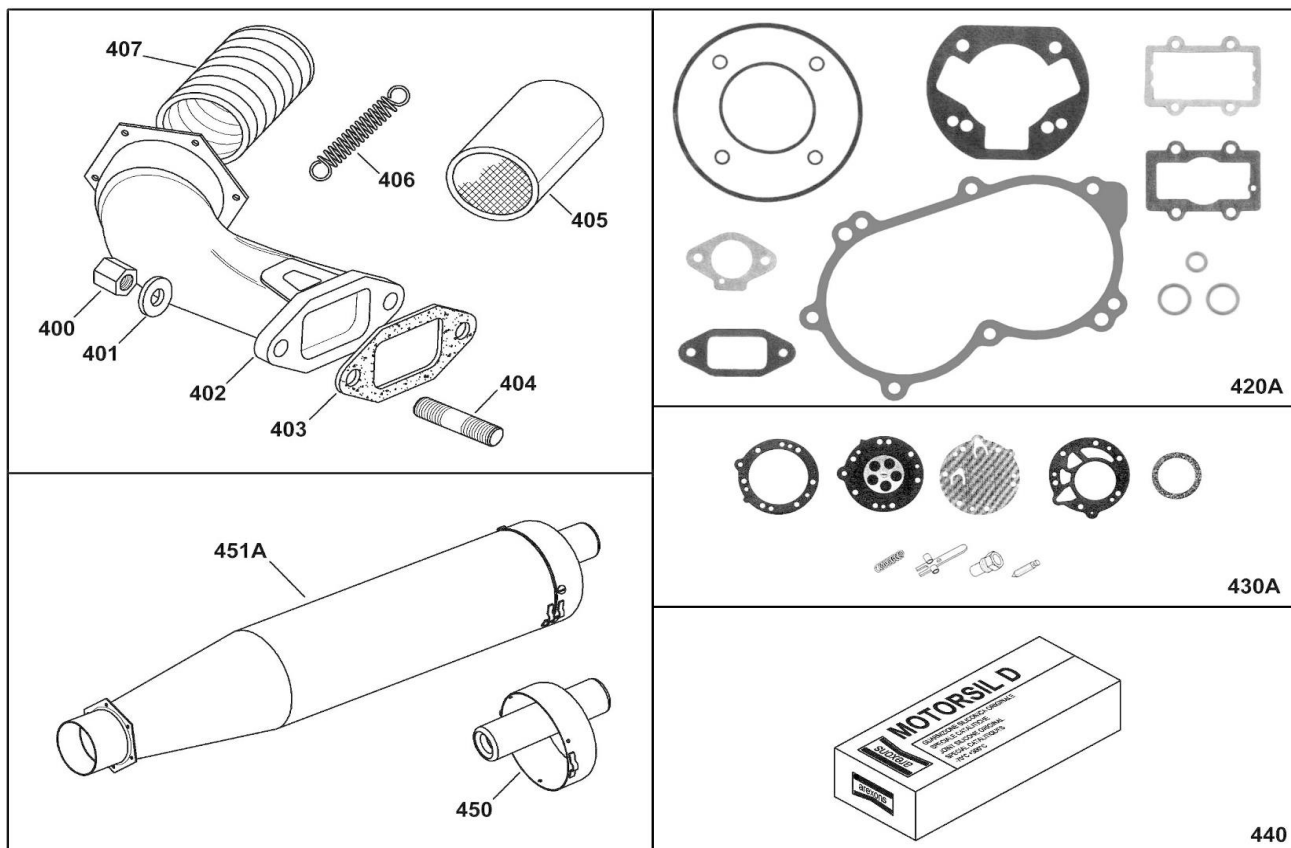


CAT-226

POS	COD	DESCR	PRICE
350	00045-K	20 SOCKET H. SCREWS M6X25 KIT	4.57
351	X30125595	CLUTCH GUARD X30	54.05
352	D-75570	STARTER NUT TaG	7.13
353	D-75573	EXTERNAL WASHER	3.56
354	D-75598	CLUTCH ROLLER CAGE TaG	13.33
355A	X30125554-C	SPROCKET Z10 W/SCREWS	68.08
355A	X30125555-C	SPROCKET Z11 W/SCREWS	68.08
355A	X30125556-C	SPROCKET Z12 W/SCREWS	68.08
355A	X30125557-C	SPROCKET Z13 W/SCREWS	68.08
356	X30125550	CLUTCH DRUM X30	76.08
357A	X30125550-C	DRUM W/SPROCK. Z10 X30	144.06
357A	X30125551-C	DRUM W/SPROCK. Z11 X30	144.06
357A	X30125552-C	DRUM W/SPROCK. Z12 X30	144.06
358	D-75565	THRUST INT.WASHER H=1,8mm	5.08
359	X30125560	WHEEL LOCKING NUT	17.72
360	X30125840	PADDED HUB X30	180.02
361A	X30125840-C	CLUTCH GROUP Z10 X30	314.40
361A	X30125840-C13	CLUTCH GROUP Z10 X30 '13	314.40
361A	X30125841-C	CLUTCH GROUP Z11 X30	314.40
361A	X30125841-C13	CLUTCH GROUP Z11 X30 '13	314.40
361A	X30125842-C	CLUTCH GROUP Z12 X30	314.40
361A	X30125842-C13	CLUTCH GROUP Z12 X30 '13	314.40
362	X30125830	STARTER WHEEL Z70 X30	116.04
363	00161-K	KIT OF 20 HEX. SCREWS 6x12	7.47
364	X30125841	PADDED HUB X30 '13	180.02
365	X30125831	STARTER WHEEL Z70 X30 '13	116.04
366	00042-K	KIT 20 SCREWS TCCE 6x16	4.57
367	IFF-21300	WHEEL LOCKING NUT	17.72

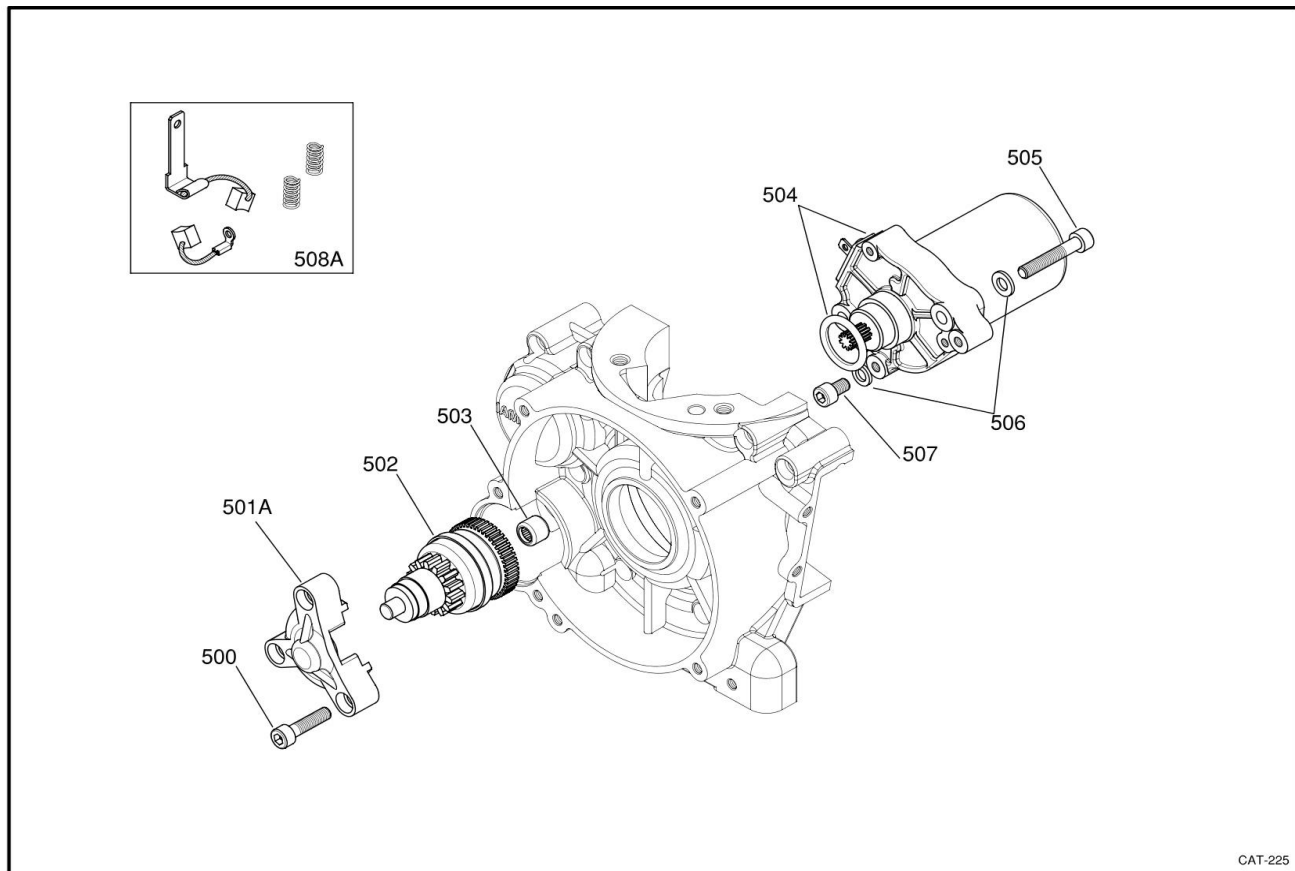
EXHAUST GROUP & GASKETS SET

X30



CAT-231

POS	COD	DESCR	PRICE
400	B-71662	8mm EXHAUST NUT	3.56
401	00332-K	KIT OF 20 ELAST. WASHERS M8	1.81
402	X30125365	EXHAUST PIPE X30	107.07
402	X30125366	EXH. PIPE X30-JUN W/REST. 29mm	126.07
402	X30125367	EXH. PIPE X30-JUN W/REST. 31mm	126.07
403	B-75360	EXHAUST GASKET	8.35
404	B-75355	EXHAUST STUDBOLT 8x36	8.35
405	A-60736	SILICONE SHEATH	23.34
406	10784	FLEXIBLE SPRING L=65	7.49
407	10711-B	FLEXIBLE L=13 cm.	10.46
420A	X30125990	GASKETS SET X30	38.23
430A	10948A-R194	KIT CARB. HB27 VALV D. 2,3	88.88
440	00602	LIQUID GASKET AREXON	43.59
450	X30125721	SILENCER END X30	68.08
451A	X30125718	SILENCER X30	170.06



CAT-225

POS	COD	DESCR	PRICE
500	00045-K	20 SOCKET H. SCREWS M6X25 KIT	4.57
501	A-60870-C	BENDIX SUPPORT KIT	24.07
502	A-120856	BENDIX	122.91
503	A-60865	ROLLER CAGE TaG	11.28
504	A-120850	STARTER TaG	241.83
505	00047-K	KIT OF 20 ALLEN SCREWS 6x35	7.18
506	00302-K	KIT 20 WASHERS M6	1.81
507	00059-K	20 FIXING CABLE SCREWS KIT	4.88
508A	A-60852A-C	STARTER BRUSHES KIT	30.91

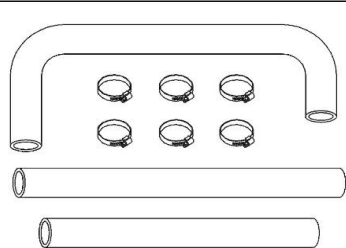


Fig. 550A
Kit n° T-8301A-C

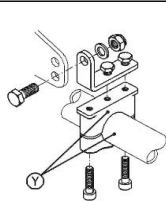


Fig. 555A
DIAMETRI - DIAMETERS
DIAMETRES

Y= 28mm : Kit n° T-8117-C
Y= 30mm : Kit n° T-8117-C1
Y= 32mm : Kit n° T-8117-C2

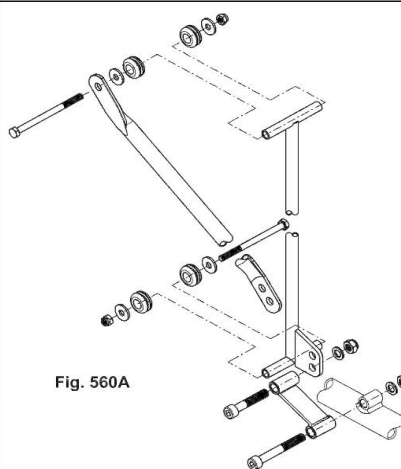


Fig. 560A

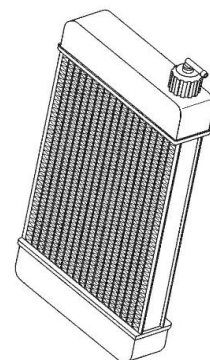
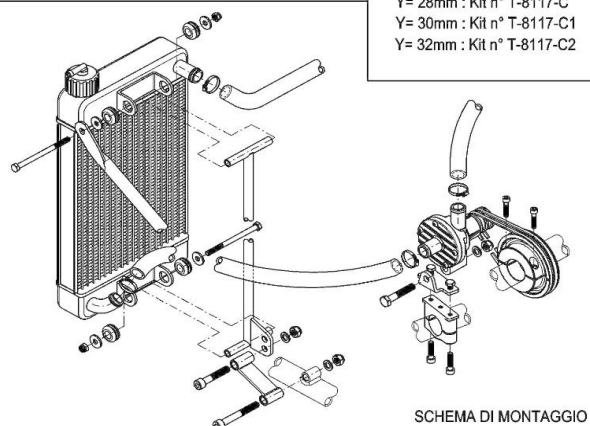


Fig. 570



IMPIANTO PER RAFFREDDAMENTO LIQUIDO
WATERCOOLED ENGINE DEVICE
EQUIPEMENT REFRIGERATION LIQUIDE

SCHEMA DI MONTAGGIO
ASSEMBLY LAYOUT
SCHEMA DE MONTAGE

NOTE

Il gruppo POMPA comprende il SUPPORTO, la PULEGGIA e gli ANELLI di gomma.

The PUMP group includes CLAMP, PULLEY and rubber RINGS.

Le groupe POMPE comprend le SUPPORT, la POULIE et les COURROIES.

DIAMETRI - DIAMETERS - DIAMETRES

- K=30mm + W=30mm : Kit n° T-8202-C
- K=30mm + W=35mm : Kit n° T-8202-C1
- K=30mm + W=40mm : Kit n° T-8202-C2
- K=32mm + W=40mm : Kit n° T-8202-C3
- K=32mm + W=35mm : Kit n° T-8202-C4
- K=30mm + W=50mm : Kit n° T-8202-C5
- K=32mm + W=50mm : Kit n° T-8202-C6
- K=32mm + W=30mm : Kit n° T-8202-C7

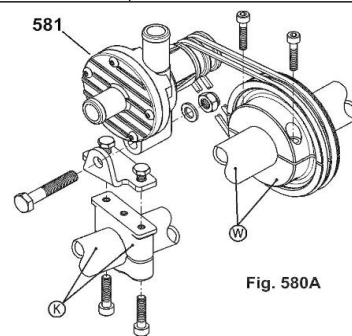
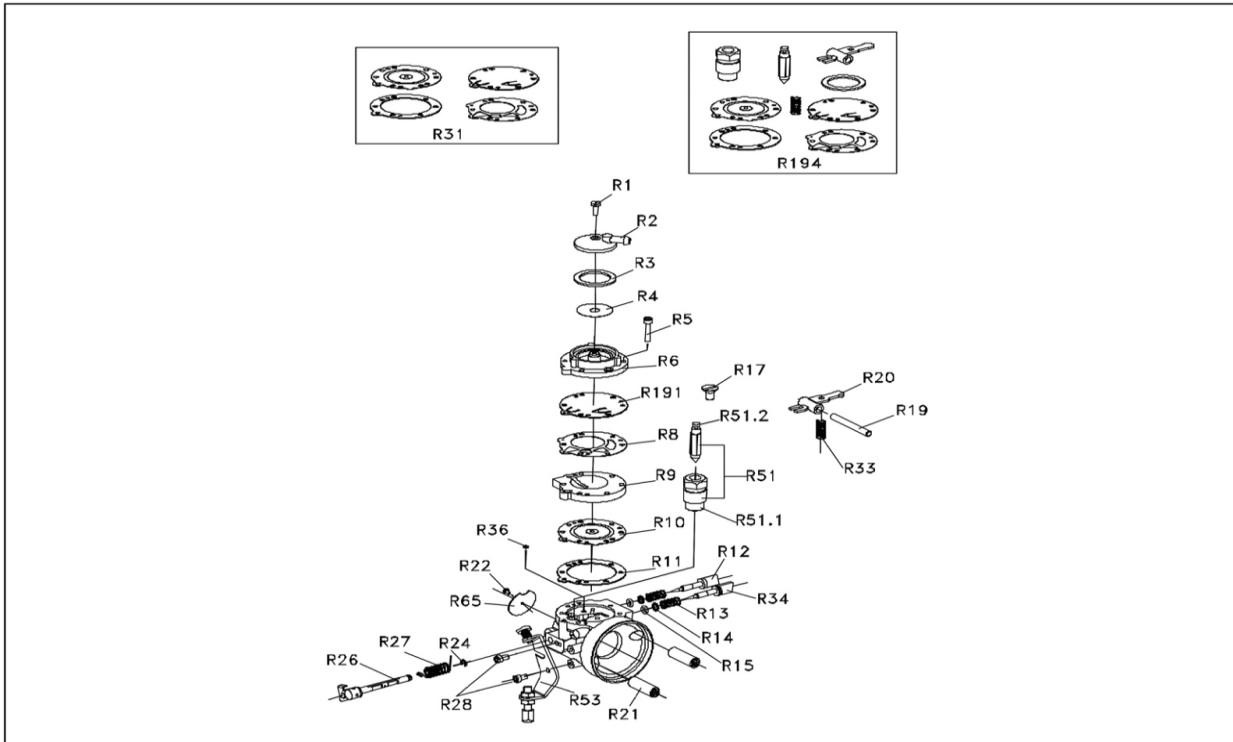


Fig. 580A

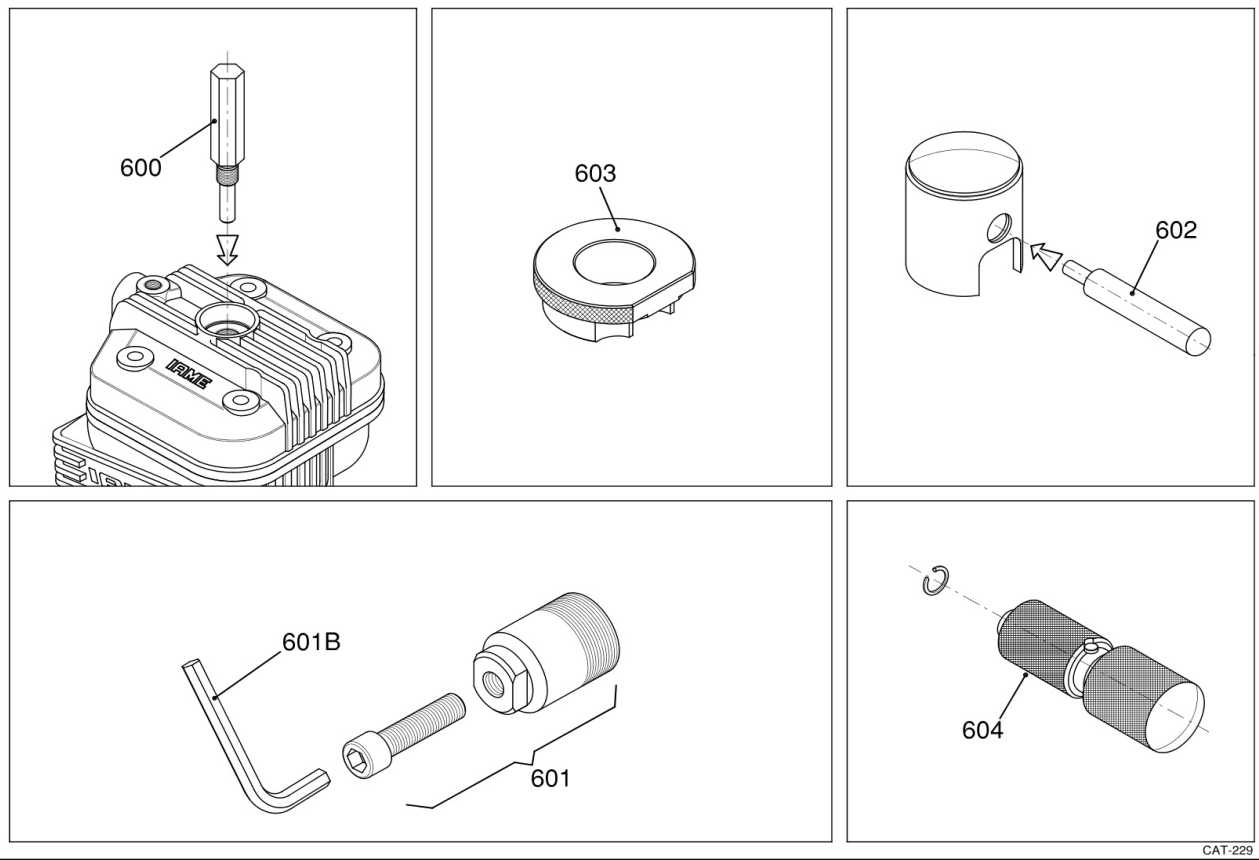
CAT-244

POS	COD	DESCR	PRICE
550A	T-8301B-C	HOSES COMPLETE KIT n.t.	60.08
555A	T-8117-C	RADIATOR CLAMP KIT mm 28	23.34
555A	T-8117-C1	RADIATOR CLAMP KIT mm 30	23.34
555A	T-8117-C2	RADIATOR CLAMP KIT mm 32	23.34
560A	T-8133-C	RADIATOR SUPPORT KIT	96.08
560A	T-8135-C	410mm RADIATOR SUPPORT KIT	96.08
570	T-8000A	RADIATOR	186.93
570	T-8000B	RADIATOR L=410mm	286.47
580A	T-8202-C	PUMP GROUP mm 30/30	146.06
580A	T-8202-C1	PUMP GROUP mm 30/35	146.06
580A	T-8202-C2	PUMP GROUP mm 30/40	146.06
580A	T-8202-C3	PUMP GROUP mm 32/40	146.06
580A	T-8202-C4	PUMP GROUP mm 32/35	146.06
580A	T-8202-C5	PUMP GROUP mm 30/50	146.06
580A	T-8202-C6	PUMP GROUP mm 32/50	146.06
580A	T-8202-C7	PUMP GROUP mm 32/30	146.06
581	T-8202	WATER PUMP	68.91
590A	T-8400-C	THERMOSTAT 50Å° COMPL.	133.08



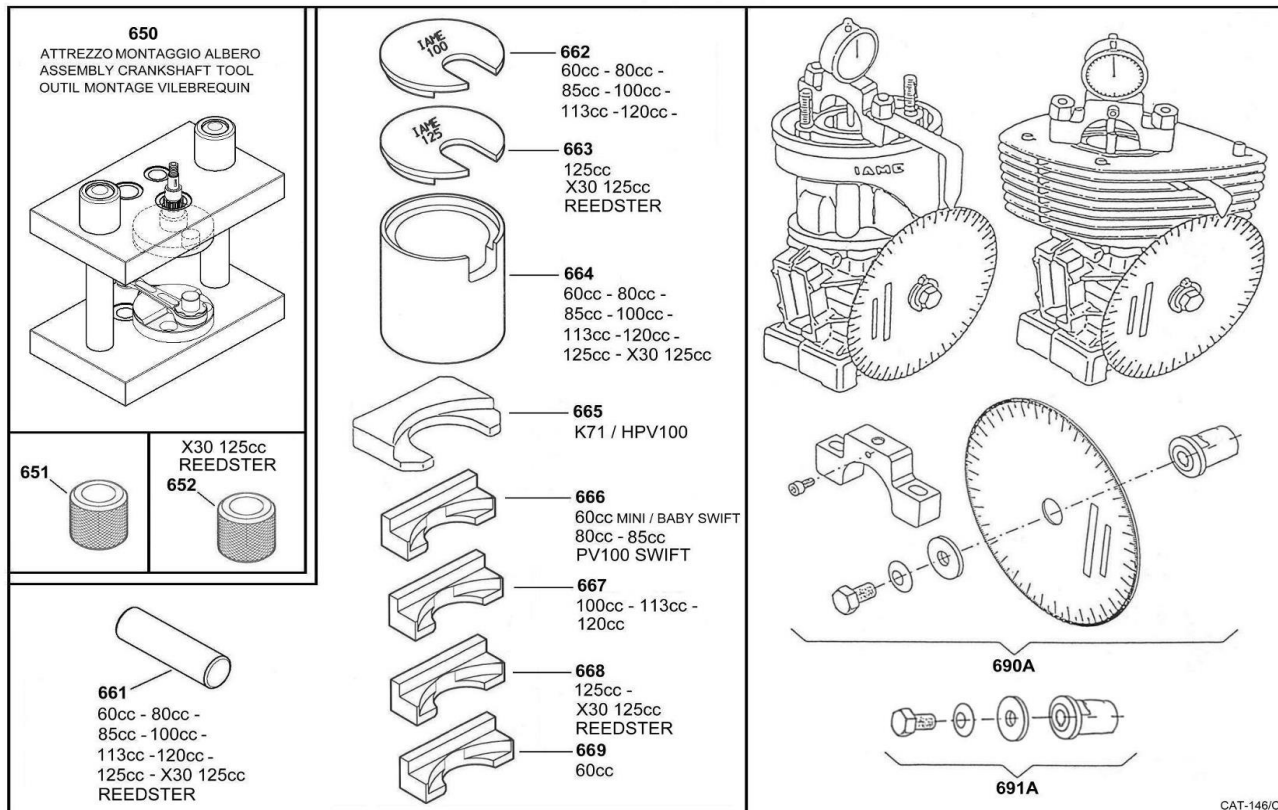
CAT-315/A

POS	COD	DESCR	PRICE
R001	10901	COVER SCREW TRYTON HB27	9.81
R002	10900	FILTER COVER TRYTON HB27	17.71
R003	10948A-R3	COVER GASKET	8.93
R004	10948A-R4	FUEL SCREEN FILTER HB27	10.69
R005	10948A-R5	BODY SCREW HB27	2.59
R008	10948A-R8	PUMP DIAPHRAGM GASKET	14.79
R009	10948A-R9	LOWER COVER	55.94
R010	10948A-R10	DIAPHRAGM HB27	32.99
R011	10953	MAIN DIAPHRAGM GASKET	10.39
R012	10948A-R12	IDLE SETTING SCREW	34.94
R013	10948A-R13	SPRING - ADJUSTMENT SCREW	13.62
R014	10948A-R14	NEEDLE WASHER	3.32
R015	10948A-R15	ORING ADJUSTMENT SCREW	6.05
R017	10948A-R17	LEVER SCREW	1.61
R019	10948A-R19	LEVER PIN	9.52
R020	10948A-R20	LEVER	14.79
R021	10897	STUDBOLT CARB. PUMA / X30	19.47
R022	10948A-R22	BUTTERFLY SCREW	2.29
R024	10948A-R24	LOCKER RING	2.10
R026	10954	SHAFT CARB. TRYTON HB27	52.31
R027	10956	SPRING CARB. SHAFT TRYTON HB27	11.27
R028	10948A-R28	BRACKET SCREW	3.17
R031	10948A-R31	GASKET KIT	37.93
R033	10948A-R33	ROCKER ARM SPRING	16.54
R034	10948A-R34	MAXIMUM SETTING SCREW	34.94
R051	10948A-R51	NEEDLE VALVE	60.67
R053	10948A-R53	SPRING HOLDER BRACKET	62.67
R065	10898	BUTTERFLY FOR TRYTON CARB.	33.82
R191	10948A-R191	PUMP DIAPHRAGM	20.40
R194	10948A-R194	KIT CARB. HB27 VALV D. 2,3	88.88



CAT-229

POS	COD	DESCR	PRICE
600	10271	PISTON STROKE LOCKER	38.12
601	10272-C	CLUTCH HUB PULLER	52.05
601	ATT-026	CLUTCH HUB PULLER 2009	51.05
601/B	10159	CLUTCH PULLER WRENCH 12mm	23.00
602	10200	PISTON PIN PUNCH 125cc	25.05
603	S884	STARTER DRIVE WHEEL HOLD. TOOL	48.09
604	10120	CIRCLIP ASSEMBLING TOOL	174.02



POS	COD	DESCR	PRICE
650	10110A	CRANKSHAFT ASSY TOOL	1,956.82
652	10150A	CRANK-PIN BUSH mm20	73.15
661	10107	CRANK-PIN PUSHER	11.66
663	10104A	CRANKSHAFT PLATE 125cc	100.61
664	10100	CRANKSH. DISASSY SUPPORT	167.09
668	10106	CRANKSHAFT INSERT 125cc-SUP	54.29
690A	10820A	TIMING GROUP TaG/REEDSTER	130.03
691A	10828-C	TAG COMPL.TIMING GROUP M10	53.38