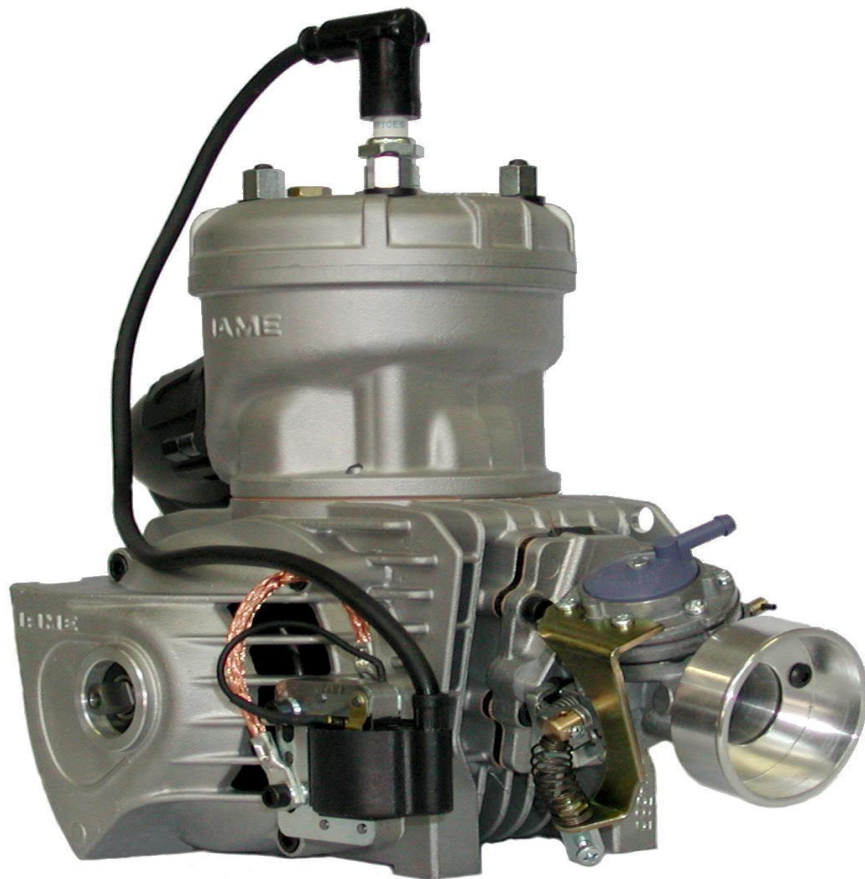


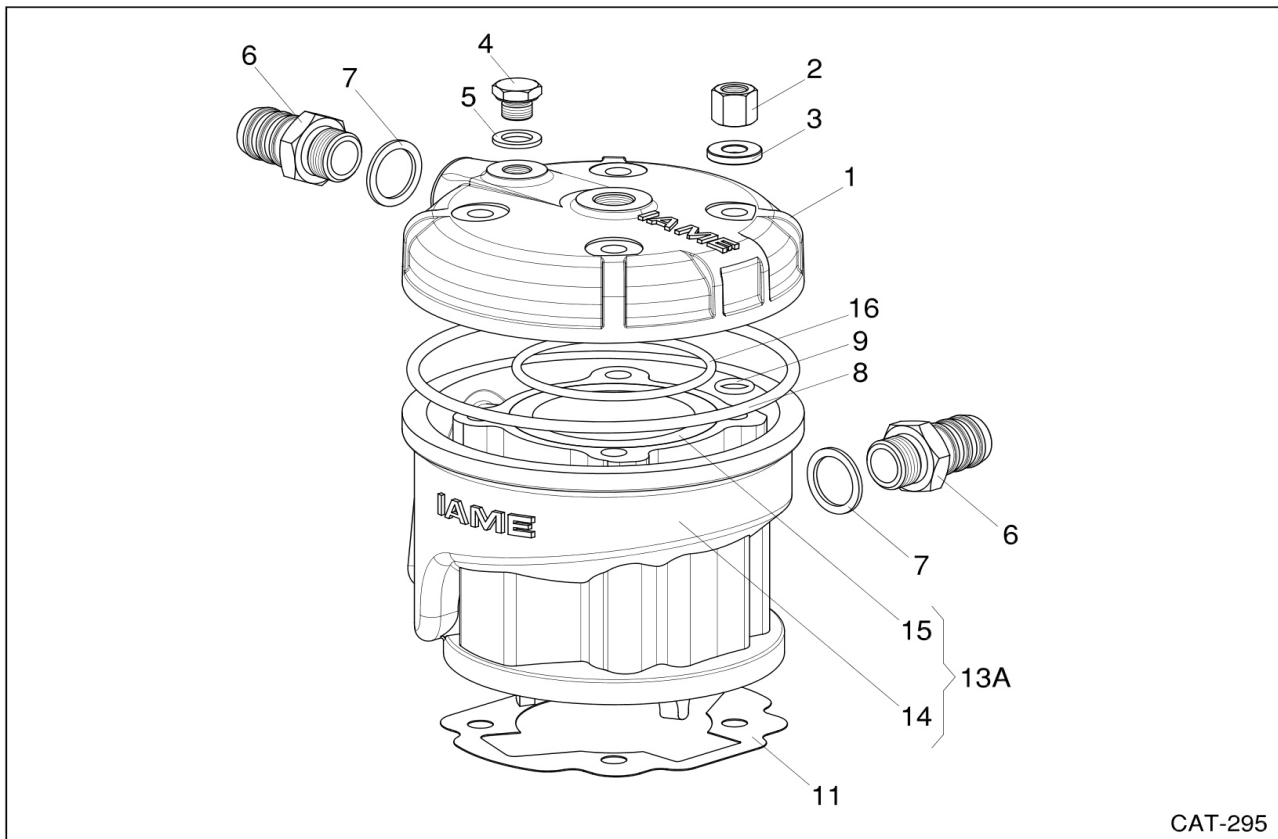
IAME

The heart of kart

IAME MY09 LEOPARD

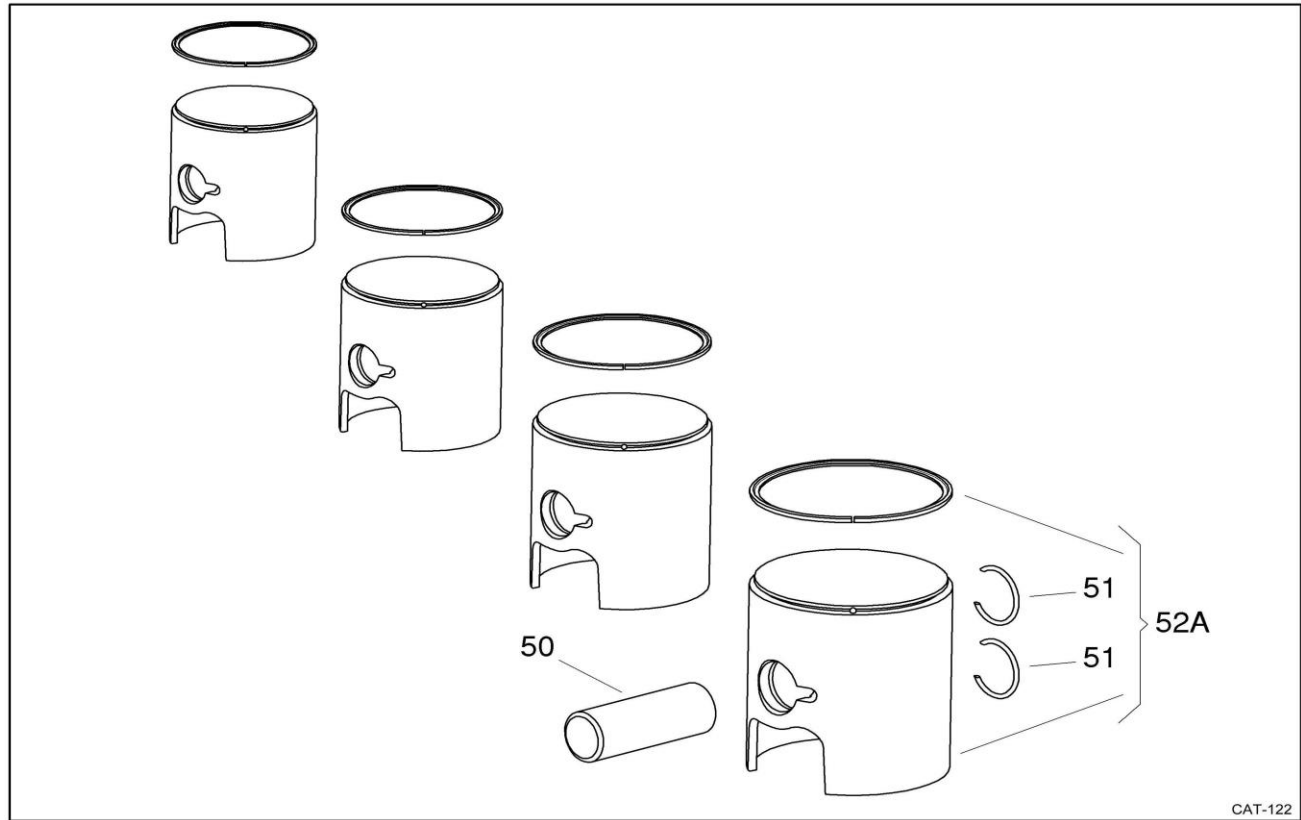


2014 CATALOG



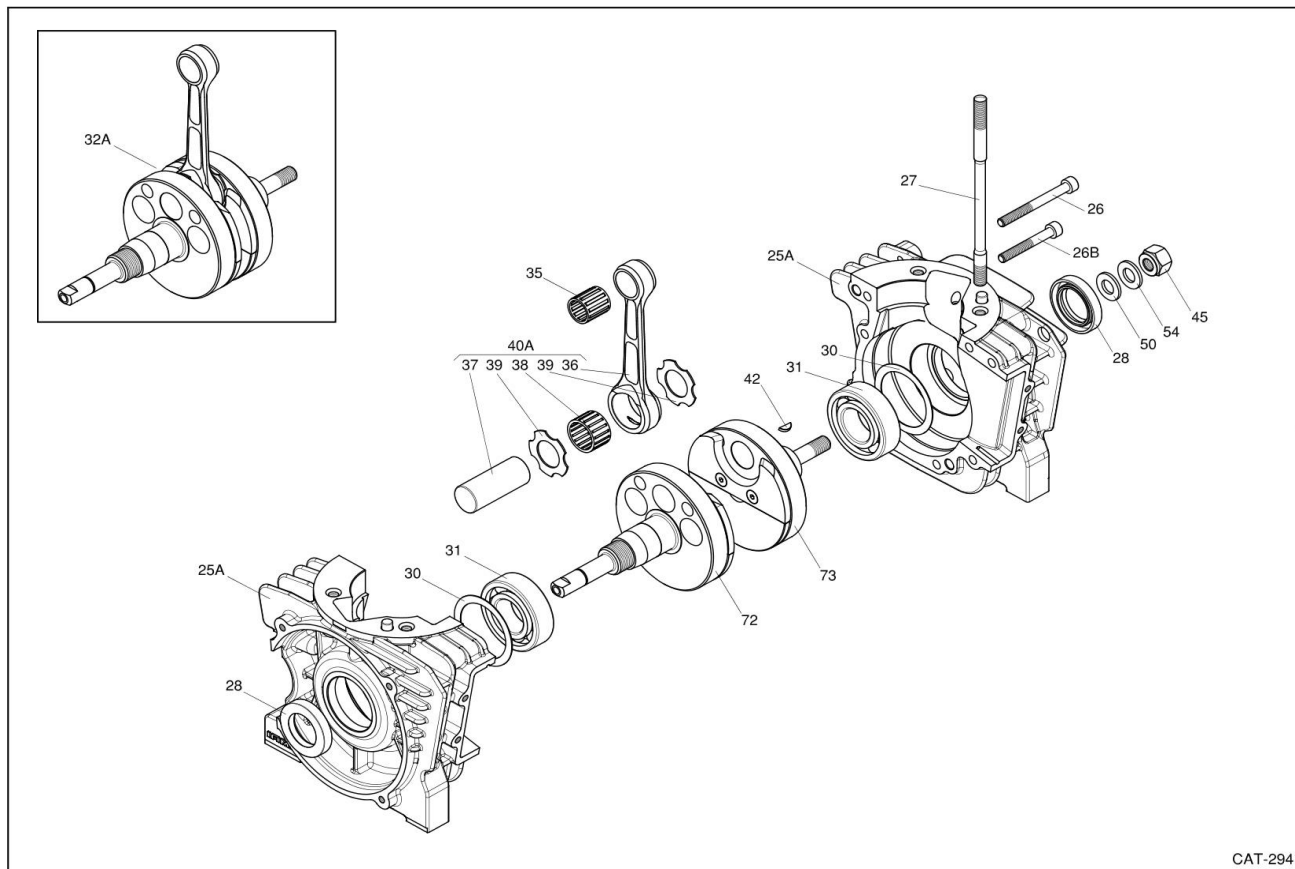
CAT-295

POS	COD	DESCR	PRICE
001	IAA-40141	CYL. HEAD LEOPARD-USA MY'09	217.68
002	10350	HEAD NUT	3.56
003	10635	HEAD NUT WASHER H=3mm	1.81
004	B-25840	TEMP. GAUGE PLUG	4.16
005	B-25845	TEMP. GAUGE PLUG GASKET	2.92
006	IFA-40500	WATER PIPE FITTING	10.40
008	B-25820	HEAD GASKET OR 4487	5.08
009	B-25825	OR STUD-BOLT	1.81
011	EBP-125045	CYL. GASKET 4/10 SUD-TOP/X30	3.56
011	EBP-125046	CYL. GASKET 2/10 SUD-TOP/X30	3.56
013A	IAA-01041	CYLINDER LEOPARD-USA MY'09	761.17
016	DBP-95049	HEAD GASKET OR 3243	8.35



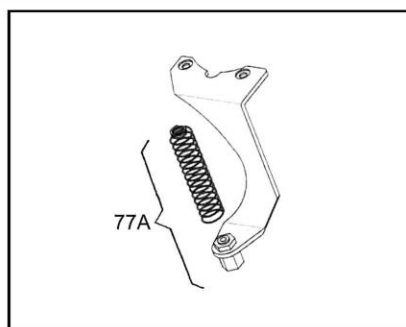
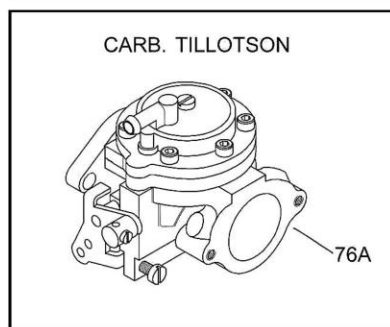
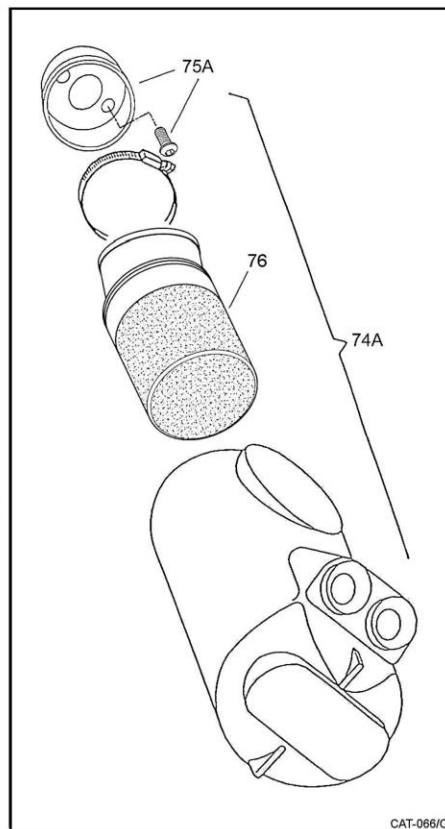
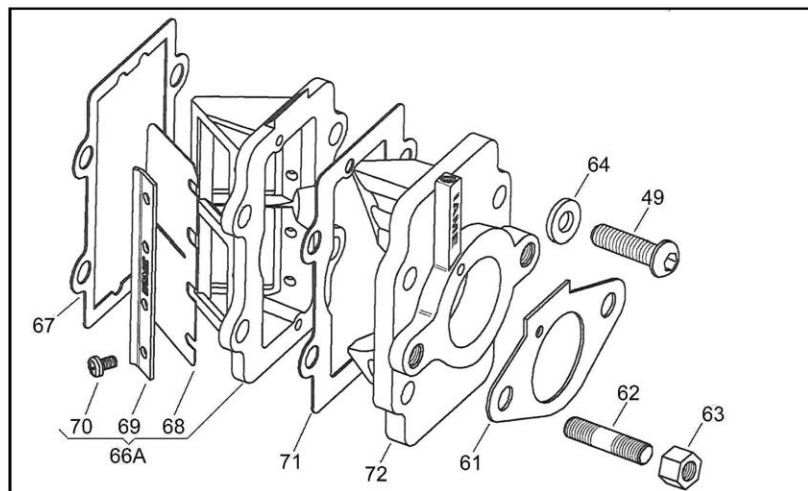
CAT-122

POS	COD	DESCR	PRICE
050	B-30320-B	PISTON PIN 14x44 2^SEL	30.91
050	B-30320-G	PISTON PIN 14x44 3^SEL.	30.91
050	B-30320-R	PISTON PIN 14x44 1^SEL.	30.91
051	10341-A	CIRCLIP W/OUT TAILS	1.88
052A	BP-25051-CR	PISTON, COMPL. PR 54.00r	126.07
052A	BP-25051-CV	PISTON, COMPL. PR 54.00g	126.07
052A	BP-25056-CR	PISTON, COMPL. PR 54.02r	126.07
052A	BP-25056-CV	PISTON, COMPL. PR 54.02g	126.07
052A	BP-25058-CR	PISTON, COMPL. PR 54.05r	126.07
052A	BP-25058-CV	PISTON, COMPL. PR 54.05g	126.07
052A	BP-25061-CR	PISTON, COMPL. PR 54.10r	126.07
052A	BP-25061-CV	PISTON, COMPL. PR 54.10g	126.07
052A	BP-25066-CR	PISTON, COMPL. PR 54.12r	126.07
052A	BP-25066-CV	PISTON, COMPL. PR 54.12g	126.07
052A	BP-25068-CR	PISTON, COMPL. PR 54.15r	126.07
052A	BP-25068-CV	PISTON, COMPL. PR 54.15g	126.07
052A	BP-25071-CR	PISTON, COMPL. PR 54.20r	126.07
052A	BP-25071-CV	PISTON, COMPL. PR 54.20g	126.07
052A	BP-25076-CR	PISTON, COMPL. PR 54.22r	126.07
052A	BP-25076-CV	PISTON, COMPL. PR 54.22g	126.07
052A	BP-25081-CR	PISTON, COMPL. PR 54.25r	126.07
052A	BP-25081-CV	PISTON, COMPL. PR 54.25g	126.07
052A	BP-25086-CR	PISTON, COMPL. PR 54.27r	126.07
052A	BP-25086-CV	PISTON, COMPL. PR 54.27g	126.07



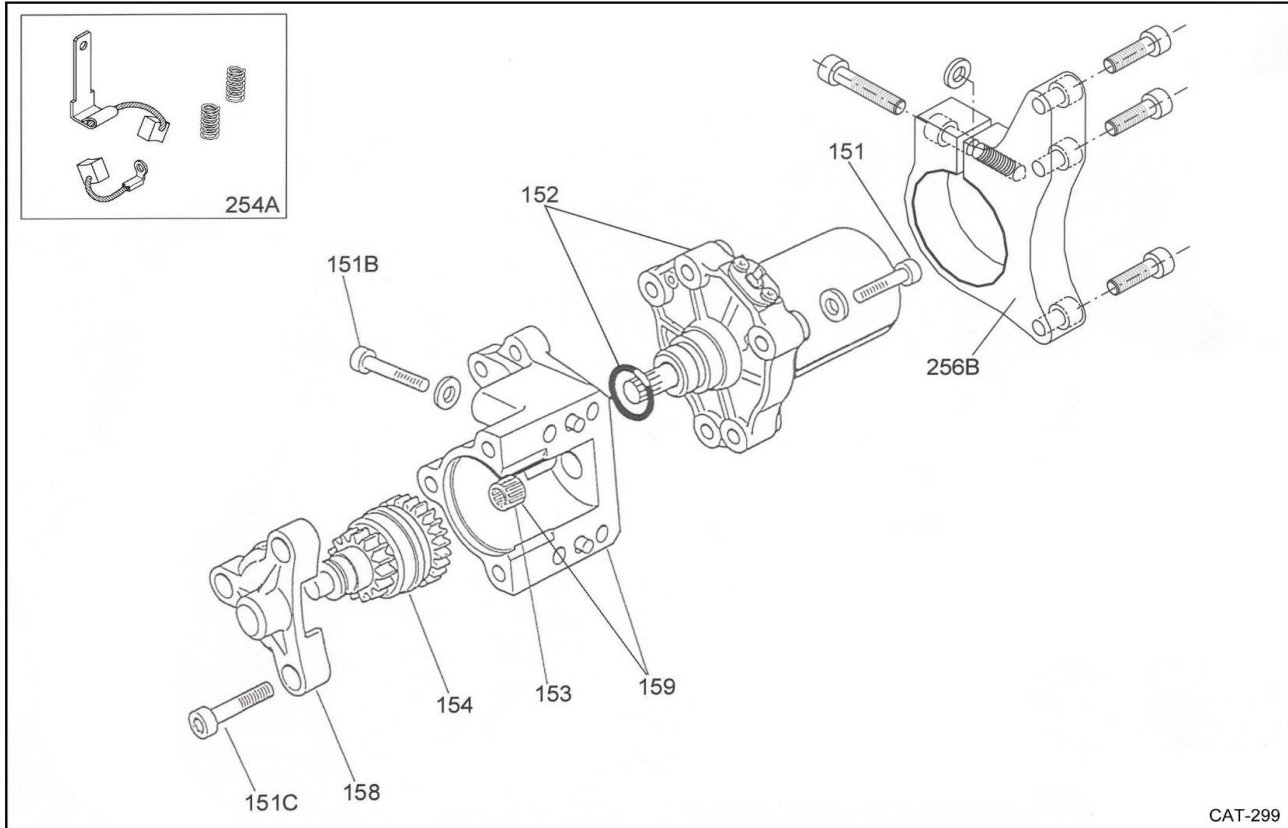
CAT-294

POS	COD	DESCR	PRICE
025A	IAB-01041	CRANKCASE LEOPARD-USA MY'09	678.90
026	00051-K	KIT OF 20 ALLEN SCREWS 6x55	1.51
026B	00049-K	KIT OF 20 ALLEN SCREWS 6x45	7.18
027	B-25347	CYLINDER TIE-ROD 8x153	13.33
028	X30125425A	OIL SEAL MAGN./DRIVE SIDE	15.00
030	30404	STEEL SHIM 0.15	3.56
030	30407	STEEL SHIM 0.10	3.56
031	35396	BALL BEARING SKF 6205-C4	20.44
032A	IAC-00141	CRANKSHAFT LEOPARD-USA MY'09	1,190.49
035	E-10440	TOP ROD SUPPORT	34.92
036	IFC-50101	CON-ROD 102 mm LEOPARD MY'09	308.72
037	IAC-40140	CRANKPIN DRAGON 20x47mm	33.74
038	X30125431	BIG END CAGE	67.02
039	X30125436	SILVER BRONZE WASHER	10.40
040A	IFC-50101-47	CONROD mm102 pin 47-LEOP-MY'09	413.16
042	11715	SHAFT END/SPROCKET/MAGNETO KEY	3.56
045	00382	NUT M10x1	2.29
050	00305-K	KIT OF 20 WASHERS M10	7.47
054	00342-K	KIT 20 WASHERS 10,5x18x0,8	6.66
072	IAC-20141	HALFCR.DR.SIDE DRAG/LEOP MY'09	276.83
073	IAC-30141	HALFCR. IG.S. DRAG/LEOP MY '09	248.90



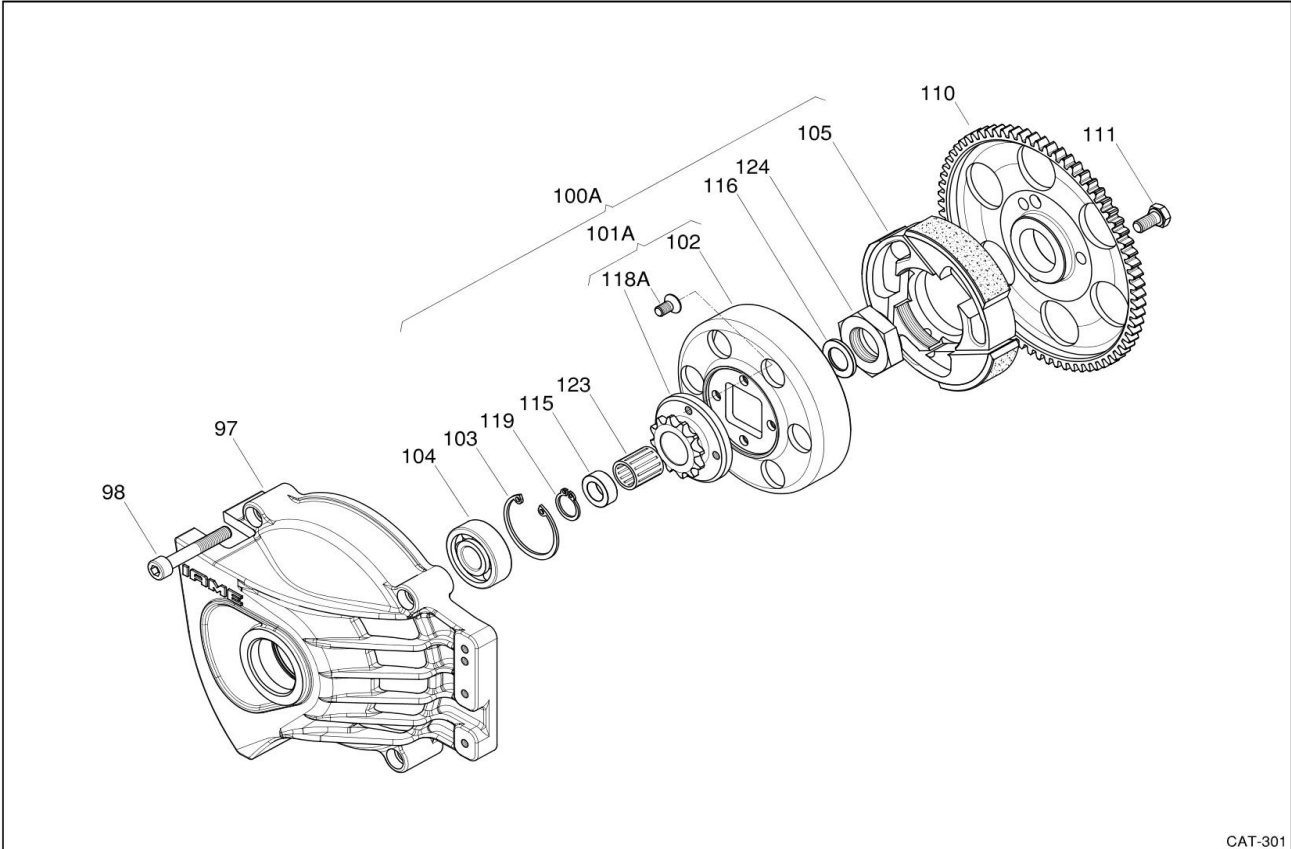
CAT-086/C

POS	COD	DESCR	PRICE
049	00045-K	20 SOCKET H. SCREWS M6X25 KIT	4.57
061	10360-A	CARBURETOR GASKET	3.56
062	10525	FIX.CARB.STUDBOLT 6x25	5.08
063	00351-K	20 HEXAGONAL NUTS KIT M6	3.56
066A	X3011830-C	REEDS BLOCK X30	94.38
067	F-11810	REED GR.GASKET TOP-RL	3.56
068	X3011840	FIBERGLASS REED PETALS X30	17.09
069	F-11845A	REED CLIPS	3.56
070	10380-K	KIT 20 SCREWS 1/2 CR.HEAD 3X5	35.43
071	F-11805	TOP CONVEYOR GASKET	5.08
072	F-100817A	CONVEYOR TOP mm.27	64.05
074A	10745-C1	COMPL.INTAKE SILENCER R&R	115.02
075A	10771-C	INTAKE SILENCER FITTING	35.46
076	10751-A	RUBBER HOSE WITH FOAM FILTER	43.96
076A	10916B	CARBURETOR TILL.HL334AB 23mm	149.95
077A	B-35520-C	CARBURETOR LEVER	23.00



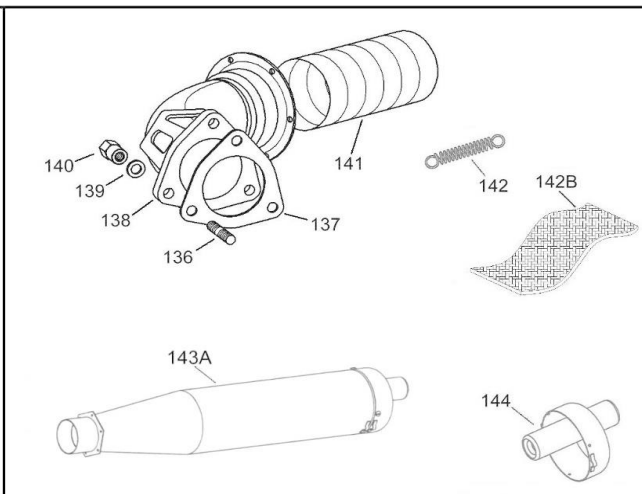
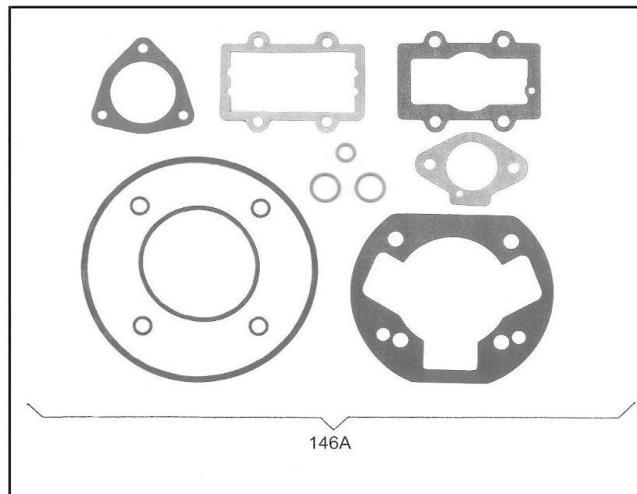
CAT-299

POS	COD	DESCR	PRICE
151	00047-K	KIT OF 20 ALLEN SCREWS 6x35	7.18
151B	00049-K	KIT OF 20 ALLEN SCREWS 6x45	1.66
151C	00045-K	20 SOCKET H. SCREWS M6X25 KIT	4.57
152	A-120850A-C	STARTER MOTOR	241.83
153	A-60865	ROLLER CAGE TaG	11.28
154	A-120856	BENDIX	122.91
158	A-60870	COUNTERSHAFT SUPPORT, TaG	17.09
159	A-120860A-C	STARTER USA SUPPORT W/ ROLLER	118.03
254A	A-60852A-C	STARTER BRUSHES KIT	30.91
256B	A-125863-C	STARTER SUPPL. SUPPORT	43.12



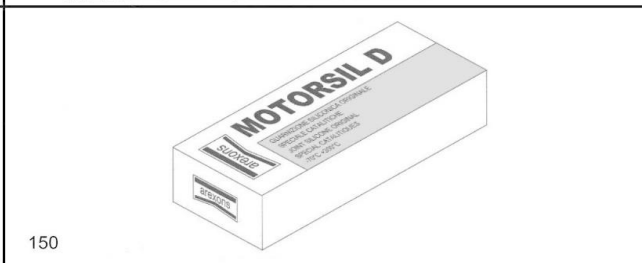
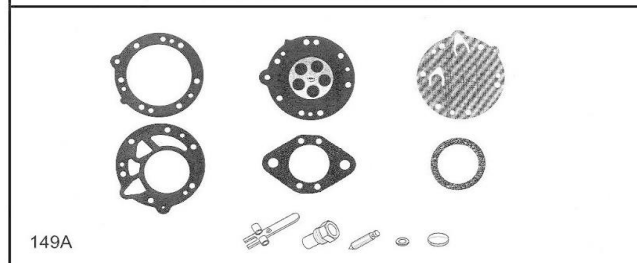
CAT-301

POS	COD	DESCR	PRICE
097	IAF-23041	CLUTCH COVER DRAG/LEOP MY'09	142.36
098	00048-K	KIT OF 20 ALLEN SCREWS 6x40	7.18
100A	IFF-020001-C	KF1-2-3 CLUTCH GROUPE Z11	338.46
101A	X30125551-C	DRUM W/SPROCK. Z11 X30	144.06
102	X30125550	CLUTCH DRUM X30	76.08
103	IAU-00011	SEEGER 32 x 1.2	4.88
104	IAB-20641	BALL BEARING 6201-2RSR-C4 SKF	19.19
105	X30125840	PADDED HUB X30	180.02
110	IAI-30041	STARTER GEAR DRAG/LEOP MY'09	117.07
111	00161-K	KIT OF 20 HEX. SCREWS 6x12	7.47
115	G-100573	EXTERNAL WASHER PV100-MAXI/	7.42
116	D-75565	THRUST INT.WASHER H=1,8mm	5.08
118A	X30125554-C	SPROCKET Z10 W/SCREWS	68.08
118A	X30125555-C	SPROCKET Z11 W/SCREWS	68.08
118A	X30125556-C	SPROCKET Z12 W/SCREWS	68.08
118A	X30125557-C	SPROCKET Z13 W/SCREWS	68.08
119	G-100571	SEEGER RING 12x1	2.29
123	D-75598	CLUTCH ROLLER CAGE TaG	13.33
124	X30125560	WHEEL LOCKING NUT	17.72



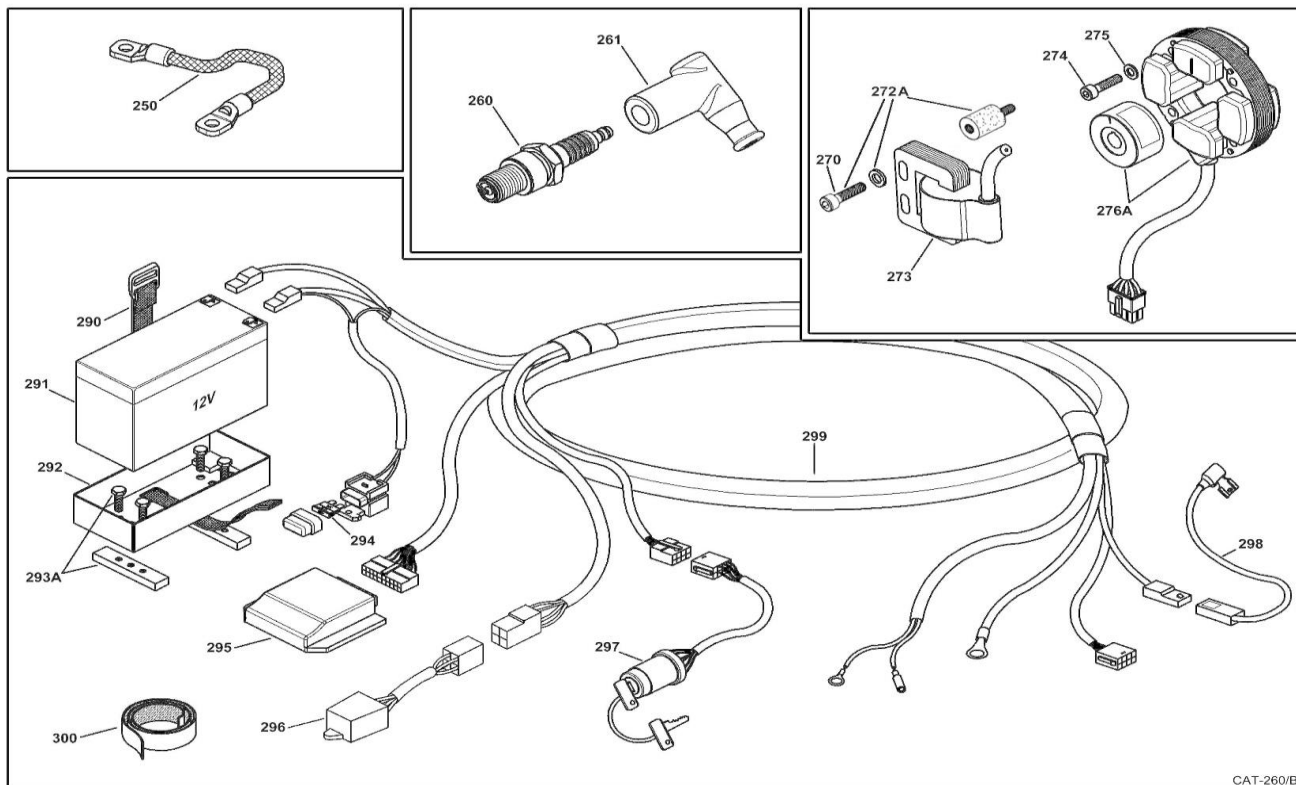
KIT CARB. TILLOTSON HL - TILLOTSON HL CARB KIT

GUARNIZIONE LIQUIDA - LIQUID SEAL - JOINT LIQUIDE



CAT-298

POS	COD	DESCR	PRICE
136	A-125355	STUDBOLT M6X40	1.52
137	B-85360	EXHAUST GASKET LEOP.	8.35
138	A-125369	EXHAUST PIPE LEOPARD '08	116.17
139	00302-K	KIT 20 WASHERS M6	1.81
140	10660	6 mm EXHAUST NUT	7.13
141	10711-B	FLEXIBLE L=13 cm.	10.46
142	10785	FLEXIBLE SPRING	4.50
142B	A-60735	FIBER STRIP FOR FLEX	9.69
143A	10718	SILENCER SPECIAL	161.03
144	10721-A	SILENCER END	40.02
146A	IAZ-125990	GASKET SET LEOPARD MY'09	38.39
149A	10926	KIT CARB.TILL.HL334AB	29.95
150	00602	LIQUID GASKET AREXON	43.59



CAT-260/B

POS	COD	DESCR	PRICE
250	B-35805-A	COIL GROUND CABLE	8.30
260	10561-A	SPARK PLUG NGK BR10EG	12.95
261	10544	PVL SPARK CAP	28.86
270	00032-K	KIT OF 20 ALLEN SCREWS 5x20	4.88
272A	A-125520-C	COIL DAMPENR KIT	14.70
273	X30125955	SELETTRA COIL K	57.05
274	00034-K	KIT OF 20 ALLEN SCREWS 5x25	4.57
275	00301-K	KIT 20 WASHERS M5	1.81
276A	X30125950A	SELETTRA K IGNITION	188.02
290	A-60904A	BATTERY FIXING BELT	17.09
291	X30125900	SPARE PART F.	54.00
292	X30125905	BATTERY SUPPORT	41.11
293A	X30125906-C	BATTERY SUPP. CLAMP W/SCREWS	13.82
294	X30125942	FUSIBLE 5A X30	3.56
295	X30125930AS	MINI POWER UNIT TYPE A	245.55
296	IFE-05200	STARTER RELAY n.t.	119.24
297	X30125936-C	STARTER KEYS ASSEMBLY	73.08
298	A-60934A	STARTER CABLE	18.84
299	IFE-05000	KIT CABLES W/CONNECT.	214.05
300	X30125925	VELCRO FIXING STRAP	21.67

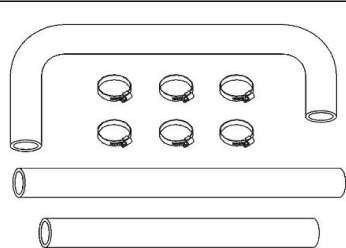


Fig. 550A
Kit n° T-8301A-C

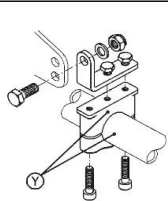


Fig. 555A
DIAMETRI - DIAMETERS
DIAMETRES

Y= 28mm : Kit n° T-8117-C
Y= 30mm : Kit n° T-8117-C1
Y= 32mm : Kit n° T-8117-C2

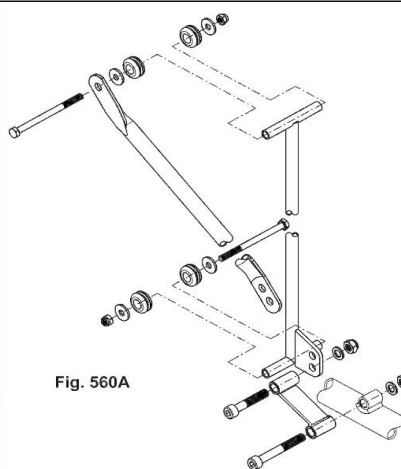


Fig. 560A

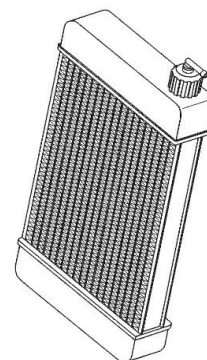
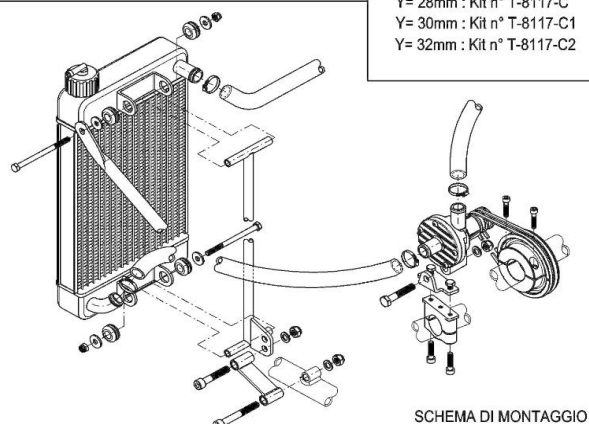


Fig. 570



IMPIANTO PER RAFFREDDAMENTO LIQUIDO
WATERCOOLED ENGINE DEVICE
EQUIPEMENT REFRIGERATION LIQUIDE

SCHEMA DI MONTAGGIO
ASSEMBLY LAYOUT
SCHEMA DE MONTAGE

NOTE

Il gruppo POMPA comprende il SUPPORTO, la PULEGGIA e gli ANELLI di gomma.

The PUMP group includes CLAMP, PULLEY and rubber RINGS.

Le groupe POMPE comprend le SUPPORT, la POULIE et les COURROIES.

DIAMETRI - DIAMETERS - DIAMETRES

- K=30mm + W=30mm : Kit n° T-8202-C
- K=30mm + W=35mm : Kit n° T-8202-C1
- K=30mm + W=40mm : Kit n° T-8202-C2
- K=32mm + W=40mm : Kit n° T-8202-C3
- K=32mm + W=35mm : Kit n° T-8202-C4
- K=30mm + W=50mm : Kit n° T-8202-C5
- K=32mm + W=50mm : Kit n° T-8202-C6
- K=32mm + W=30mm : Kit n° T-8202-C7

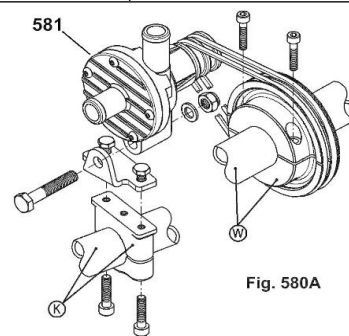
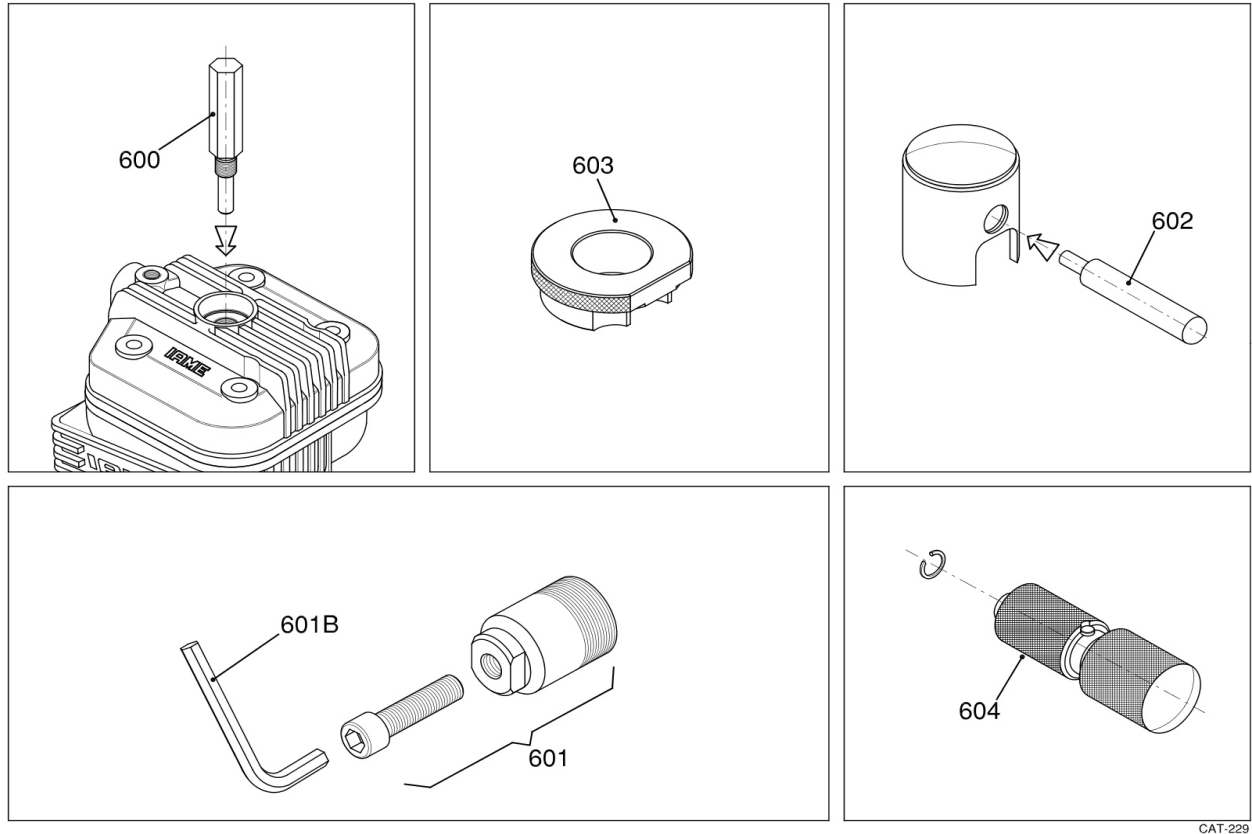


Fig. 580A

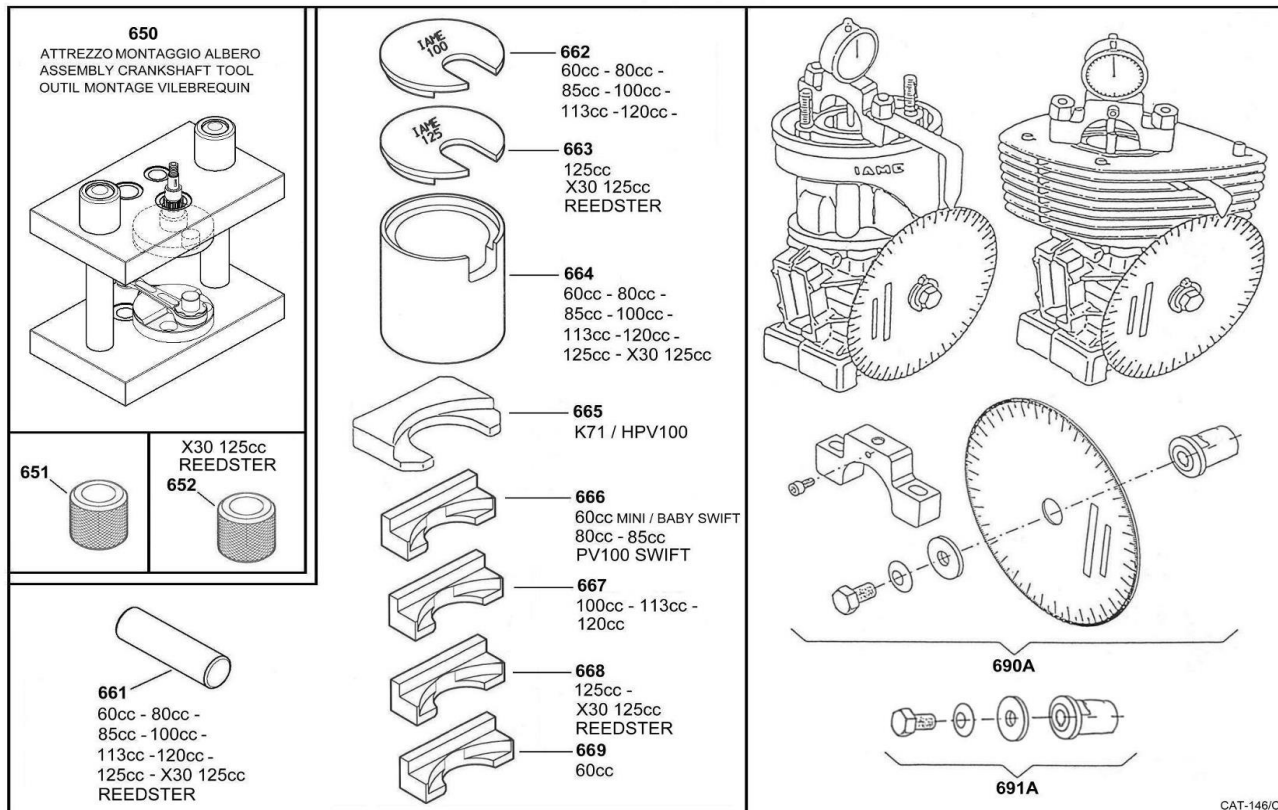
CAT-244

POS	COD	DESCR	PRICE
550A	T-8301B-C	HOSES COMPLETE KIT n.t.	60.08
555A	T-8117-C	RADIATOR CLAMP KIT mm 28	23.34
555A	T-8117-C1	RADIATOR CLAMP KIT mm 30	23.34
555A	T-8117-C2	RADIATOR CLAMP KIT mm 32	23.34
560A	T-8133-C	RADIATOR SUPPORT KIT	96.08
560A	T-8135-C	410mm RADIATOR SUPPORT KIT	96.08
570	T-8000A	RADIATOR	186.93
570	T-8000B	RADIATOR L=410mm	286.47
580A	T-8202-C	PUMP GROUP mm 30/30	146.06
580A	T-8202-C1	PUMP GROUP mm 30/35	146.06
580A	T-8202-C2	PUMP GROUP mm 30/40	146.06
580A	T-8202-C3	PUMP GROUP mm 32/40	146.06
580A	T-8202-C4	PUMP GROUP mm 32/35	146.06
580A	T-8202-C5	PUMP GROUP mm 30/50	146.06
580A	T-8202-C6	PUMP GROUP mm 32/50	146.06
580A	T-8202-C7	PUMP GROUP mm 32/30	146.06
581	T-8202	WATER PUMP	68.91
590A	T-8400-C	THERMOSTAT 50Å° COMPL.	133.08



CAT-229

POS	COD	DESCR	PRICE
600	10271	PISTON STROKE LOCKER	38.12
601	10272-C	CLUTCH HUB PULLER	52.05
602	10200	PISTON PIN PUNCH 125cc	25.05
603	S884	STARTER DRIVE WHEEL HOLD. TOOL	48.09
604	10120	CIRCLIP ASSEMBLING TOOL	174.02



POS	COD	DESCR	PRICE
650	10110A	CRANKSHAFT ASSY TOOL	1,956.82
652	10150A	CRANK-PIN BUSH mm20	73.15
661	10107	CRANK-PIN PUSHER	11.66
663	10104A	CRANKSHAFT PLATE 125cc	100.61
664	10100	CRANKSH. DISASSY SUPPORT	167.09
668	10106	CRANKSHAFT INSERT 125cc-SUP	54.29
690A	10820A	TIMING GROUP TaG/REEDSTER	130.03
691A	10828-C	TAG COMPL.TIMING GROUP M10	53.38